

REF200 Dual Current Source and Current Sink

1 Features

- Completely Floating: No Power Supply or Ground Connections
- High Accuracy: $100\ \mu\text{A} \pm 0.5\%$
- Low Temperature Coefficient: $\pm 25\ \text{ppm}/^\circ\text{C}$
- Wide Voltage Compliance: 2.5 V to 40 V
- Includes Current Mirror

2 Applications

- Sensor Excitation
- Biasing Circuitry
- Offsetting Current Loops
- Low Voltage References
- Charge-pump Circuitry
- Hybrid Microcircuits

3 Description

The REF200 combines three circuit building-blocks on a single monolithic chip: two $100\text{-}\mu\text{A}$ current sources and a current mirror. The sections are dielectrically isolated, making them completely independent. Also, because the current sources are two-terminal devices, they can be used equally well as current sinks. The performance of each section is individually measured and laser-trimmed to achieve high accuracy at low cost.

The sections can be pin-strapped for currents of $50\ \mu\text{A}$, $100\ \mu\text{A}$, $200\ \mu\text{A}$, $300\ \mu\text{A}$, or $400\ \mu\text{A}$. External circuitry can obtain virtually any current. These and many other circuit techniques are shown in the [Application Information](#) section of this data sheet.

The REF200 is available in an SOIC package.

Device Information⁽¹⁾

PART NUMBER	PACKAGE	BODY SIZE (NOM)
REF200	SOIC (8)	3.91 mm x 4.90 mm

(1) For all available packages, see the package addendum at the end of the data sheet.

Functional Block Diagram

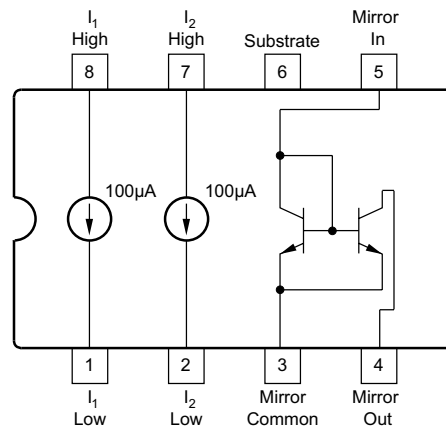


Table of Contents

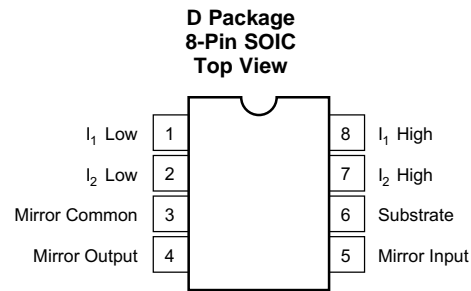
1 Features 1 2 Applications 1 3 Description 1 4 Revision History 2 5 Pin Configuration and Functions 3 6 Specifications 4 6.1 Absolute Maximum Ratings 4 6.2 ESD Ratings 4 6.3 Recommended Operating Conditions 4 6.4 Electrical Characteristics 4 6.5 Typical Characteristics 5 7 Detailed Description 7 7.1 Overview 7 7.2 Functional Block Diagram 7 7.3 Feature Description 7 7.4 Device Functional Modes 8	8 Application and Implementation 9 8.1 Application Information 9 8.2 Typical Application 9 8.3 System Examples 12 9 Power Supply Recommendations 25 10 Layout 25 10.1 Layout Guidelines 25 10.2 Layout Example 25 11 Device and Documentation Support 26 11.1 Documentation Support 26 11.2 Community Resources 26 11.3 Trademarks 26 11.4 Electrostatic Discharge Caution 26 11.5 Glossary 26 12 Mechanical, Packaging, and Orderable Information 26
---	--

4 Revision History

NOTE: Page numbers for previous revisions may differ from page numbers in the current version.

Changes from Revision A (July 2015) to Revision B	Page
<ul style="list-style-type: none"> • Changed multiple instances of "mA" in data sheet back to "µA" (typo) 1 	1
Changes from Original (September 2000) to Revision A	Page
<ul style="list-style-type: none"> • Added <i>ESD Ratings</i> and <i>Recommended Operating Conditions</i> tables, and <i>Feature Description</i>, <i>Device Functional Modes</i>, <i>Application and Implementation</i>, <i>Power Supply Recommendations</i>, <i>Layout</i>, <i>Device and Documentation Support</i>, and <i>Mechanical, Packaging, and Orderable Information</i> sections 1 	1

5 Pin Configuration and Functions



Pin Functions

PIN		DESCRIPTION
NAME	NO.	
I ₁ Low	1	Current source 1 low terminal
I ₂ Low	2	Current source 2 low terminal
Mirror Common	3	Current mirror common terminal
Mirror Output	4	Current mirror output terminal
Mirror Input	5	Current mirror input terminal
Substrate	6	Substrate (Usually connected to most negative potential in the system)
I ₂ High	7	Current source 2 high terminal
I ₁ High	8	Current source 1 high terminal

6 Specifications

6.1 Absolute Maximum Ratings

over operating free-air temperature range (unless otherwise noted)⁽¹⁾

	MIN	MAX	UNIT
Applied voltage	–6	40	V
Reverse current		–350	μA
Voltage between any two sections		±80	V
Operating temperature	–40	85	°C
T _{stg} Storage temperature	–40	125	°C

(1) Stresses beyond those listed under *Absolute Maximum Ratings* may cause permanent damage to the device. These are stress ratings only, which do not imply functional operation of the device at these or any other conditions beyond those indicated under *Recommended Operating Conditions*. Exposure to absolute-maximum-rated conditions for extended periods may affect device reliability.

6.2 ESD Ratings

	VALUE	UNIT
V _(ESD) Electrostatic discharge Charged-device model (CDM), per JEDEC specification JESD22-C101 ⁽¹⁾	±750	V

(1) JEDEC document JEP157 states that 250-V CDM allows safe manufacturing with a standard ESD control process. Manufacturing with less than 250-V CDM is possible with the necessary precautions.

6.3 Recommended Operating Conditions

over operating free-air temperature range (unless otherwise noted)

	MIN	NOM	MAX	UNIT
V _{COMP} Compliance voltage	2.5		40	V
T _A Specified temperature range	–25		85	°C

6.4 Electrical Characteristics

at T_A = 25°C, V_S = 15 V (unless otherwise noted)

PARAMETER	TEST CONDITIONS	MIN	TYP	MAX	UNIT
CURRENT SOURCES					
Current accuracy			±0.25%	±1%	
Current match			±0.25%	±1%	
Temperature drift	Specified temperature range		25		ppm/°C
Output impedance	2.5 V to 40 V	20	100		MΩ
	3.5 V to 30 V	200		500	
Noise	BW = 0.1 Hz to 10 Hz		1		nAp-p
	f = 10 kHz		20		pA/√Hz
Voltage compliance (1%)	T _{MIN} to T _{MAX}	See Typical Characteristics			
Capacitance			10		pF
CURRENT MIRROR – I = 100 μA unless otherwise noted					
Gain		0.995	1	1.005	
Temperature drift			25		ppm/°C
Impedance (output)	2 V to 40 V	40	100		MΩ
Nonlinearity	I = 0 μA to 250 μA		0.05%		
Input voltage			1.4		V
Output compliance voltage		See Typical Characteristics			
Frequency response (–3 dB)	Transfer		5		MHz

6.5 Typical Characteristics

at $T_A = 25^\circ\text{C}$, $V_S = 15\text{ V}$ (unless otherwise noted)

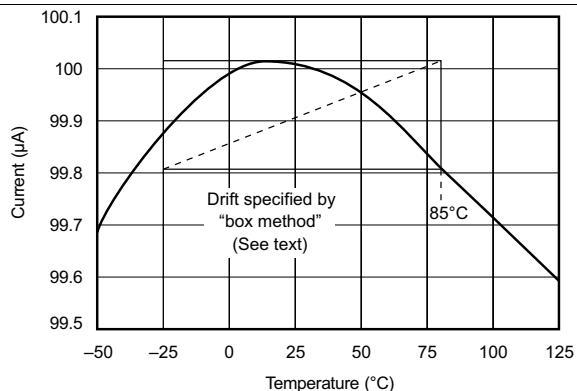


Figure 1. Current Source Typical Drift vs Temperature

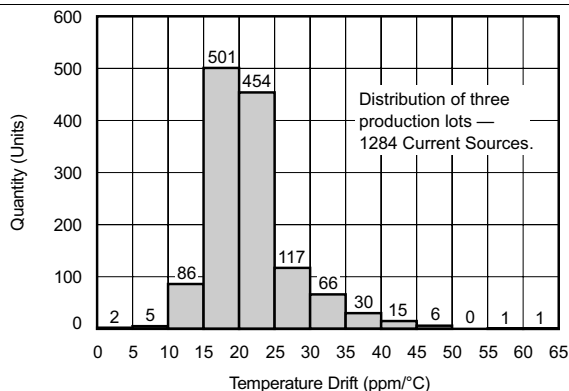


Figure 2. Current Source Temperature Drift Distribution

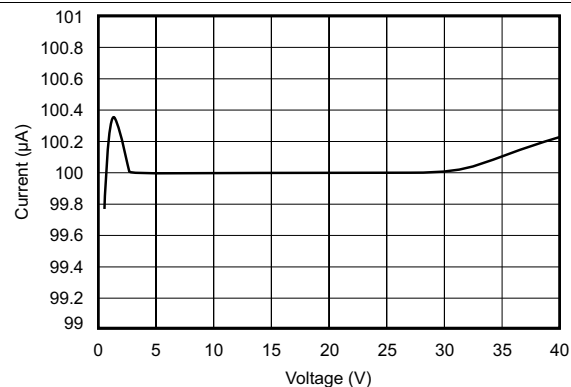


Figure 3. Current Source Output Current vs Voltage

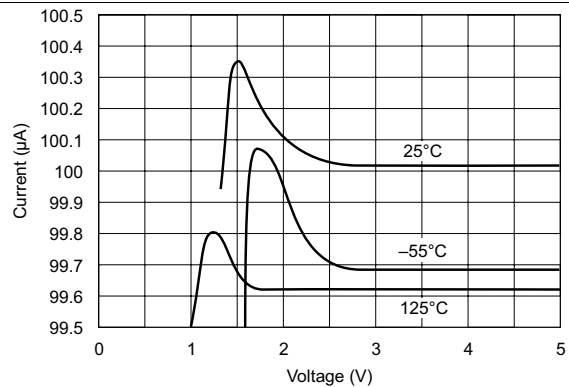


Figure 4. Current Source Output Current vs Voltage

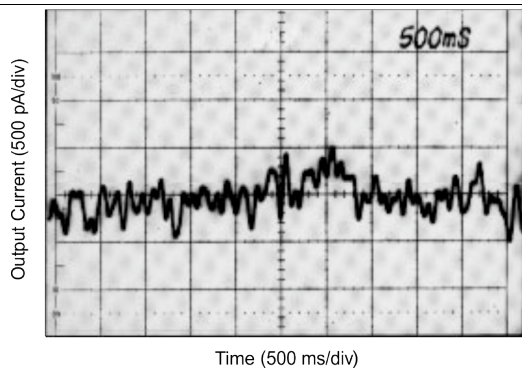


Figure 5. Current Source Current Noise (0.1 Hz to 10 Hz)

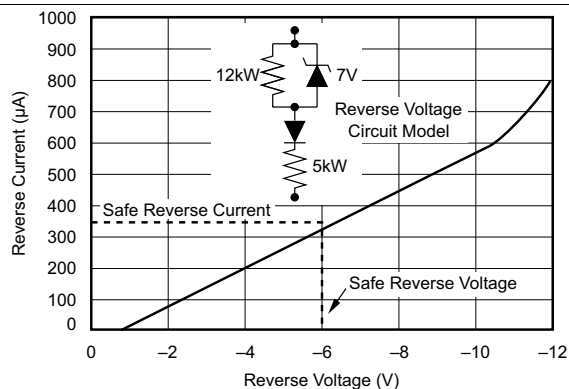


Figure 6. Current Source Reverse Current vs Reverse Voltage

Typical Characteristics (continued)

at $T_A = 25^\circ\text{C}$, $V_S = 15\text{ V}$ (unless otherwise noted)

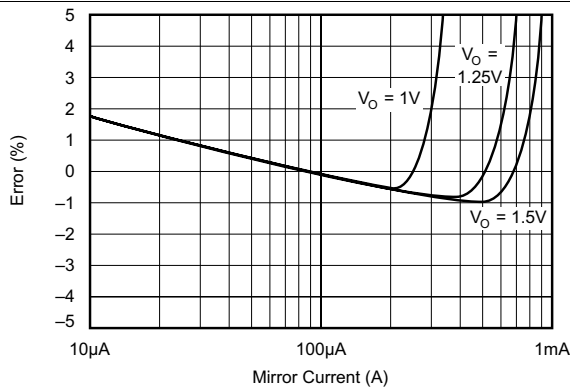


Figure 7. Mirror Gain Error vs Current

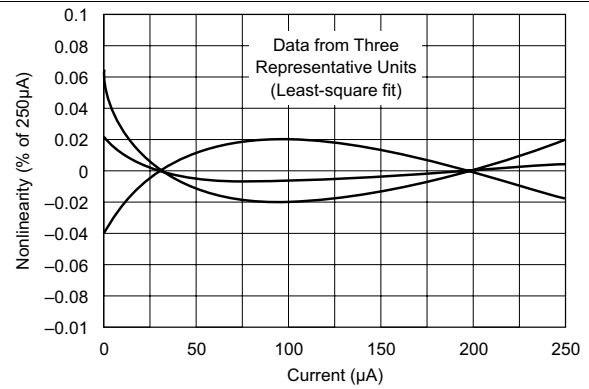


Figure 8. Mirror Transfer Nonlinearity

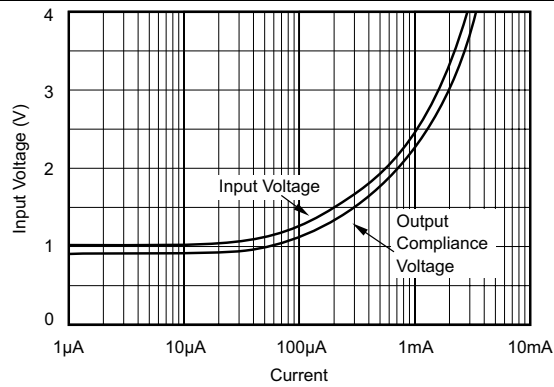


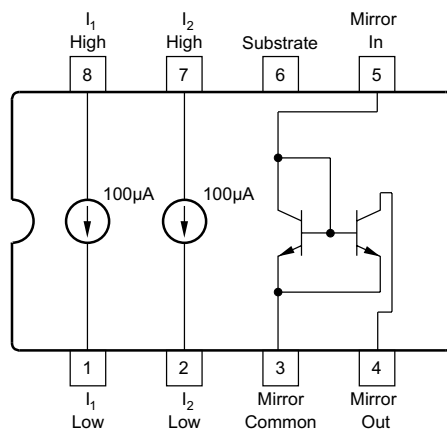
Figure 9. Mirror Input Voltage and Output Compliance Voltage vs Current

7 Detailed Description

7.1 Overview

The REF200 device combines three circuit building-blocks on a single monolithic chip—two 100- μ A current sources and a current mirror. The sections are dielectrically isolated, making them completely independent. Also, because the current sources are two terminal devices, they can be used equally well as current sinks. The performance of each section is individually measured and laser-trimmed to achieve high accuracy at low cost.

7.2 Functional Block Diagram



7.3 Feature Description

7.3.1 Temperature Drift

Drift performance is specified by the *box method*, as illustrated in [Figure 1](#). The upper and lower current extremes measured over temperature define the top and bottom of the box. The sides are determined by the specified temperature range of the device. The drift of the unit is the slope of the diagonal, typically 25 ppm/ $^{\circ}$ C from -25° C to $+85^{\circ}$ C.

7.4 Device Functional Modes

The three circuit sections of the REF200 are electrically isolated from one another, using a dielectrically-isolated fabrication process. A substrate connection is provided (pin 6), which is isolated from all circuitry. This pin should be connected to a defined circuit potential to assure rated DC performance. The preferred connection is to the most negative constant potential in the system. In most analog systems, this would be $-V_S$. For best ac performance, leave pin 6 open and leave unused sections unconnected. Figure 10 shows the simplified circuit diagram of the REF200.

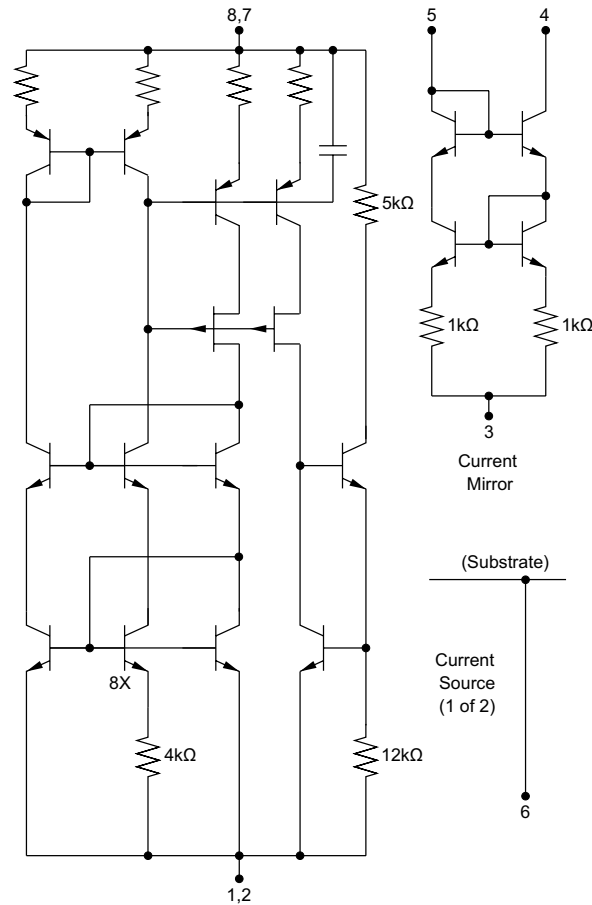


Figure 10. Simplified Circuit Diagram

8 Application and Implementation

NOTE

Information in the following applications sections is not part of the TI component specification, and TI does not warrant its accuracy or completeness. TI's customers are responsible for determining suitability of components for their purposes. Customers should validate and test their design implementation to confirm system functionality.

8.1 Application Information

Applications for the REF200 are limitless. Application Bulletin AB-165 ([SBOA046](#)) shows additional REF200 circuits as well as other related current source techniques. In this section, a collection of circuits are shown to illustrate some techniques.

If the current sources are subjected to reverse voltage, a protection diode may be required. A reverse voltage circuit model of the REF200 is shown in [Figure 6](#). If reverse voltage is limited to less than 6 V or reverse current is limited to less than 350 μA , then no protection circuitry is required. A parallel diode (see (a) in [Figure 17](#)) protects the device by limiting the reverse voltage across the current source to approximately 0.7 V. In some applications, a series diode may be preferable (see (b) in [Figure 17](#)), because it allows no reverse current. This configuration, however, reduces the compliance voltage range by one diode drop.

8.2 Typical Application

[Figure 11](#) shows the schematic of a circuit that translates RTD resistance to a voltage level convenient for an ADC input. The REF200 precision current reference provides excitation and an instrumentation amplifier scales the signal. The design also uses a 3-wire RTD configuration to minimize errors due to wiring resistance.

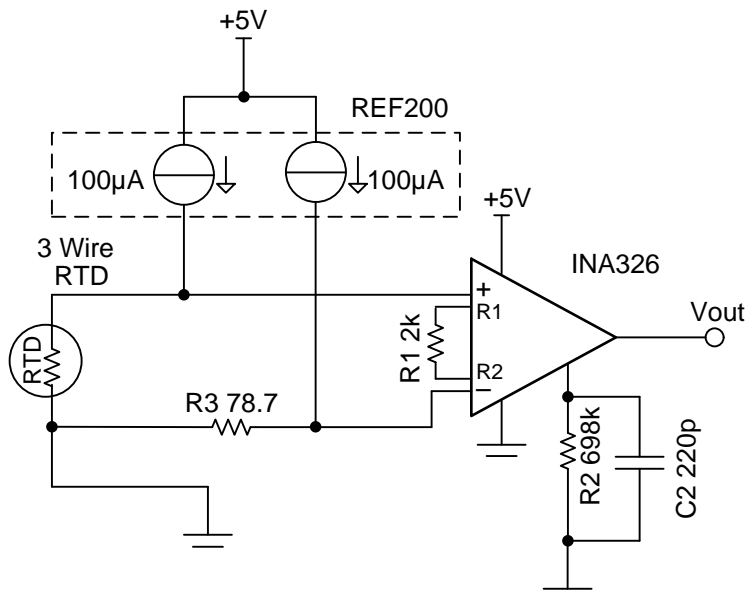


Figure 11. RTD Resistance to Voltage Converter Schematic

Typical Application (continued)

8.2.1 Design Requirements

The design requirements are as follows:

- Supply Voltage: 5 V
- RTD temperature range: -50°C to $+125^{\circ}\text{C}$
- RTD resistance range $80.3\ \Omega$ to $147.9\ \Omega$
- Output: 0.1 V to 4.9 V

The design goals and performance are summarized in Table 1. Figure 15 depicts the measured transfer function of the design.

Table 1. Comparison of Design Goals, Calculations, Simulation, and Measured Performance

V_{OUT}	RTD	GOAL	CALCULATED	SIMULATED	MEASURED
V_{OUT} maximum scale	$80.3\ \Omega$	0.1 V	0.112 V	0.117 V	0.113 V
V_{OUT} minimum scale	$142.9\ \Omega$	4.9 V	4.83 V	4.82 V	4.862 V

8.2.2 Detailed Design Procedure

Figure 12 and Figure 13 shows the schematic of the RTD amplifier for minimum and maximum output conditions. This circuit was designed for a -50°C to 150°C RTD temperature range. At -50°C the RTD resistance is $80.3\ \Omega$ and the voltage across it is $8.03\ \text{mV}$ ($V_{RTD} = (100\ \mu\text{A})(80.3\ \Omega)$, see Figure 2). Notice that R3 develops a voltage drop that opposes the RTD drop. The drop across R3 is used to shift amplifiers input differential voltage to a minimum level. The output is the differential input multiplied by the gain ($V_{out} = 698 \cdot 160\ \mu\text{V} = 0.111\ \text{V}$). At 150°C , the RTD resistance is $148\ \Omega$ and the voltage across it is $14.8\ \text{mV}$ ($V_{RTD} = (100\ \mu\text{A} \times 148\ \Omega)$). This produces a differential input of $6.93\ \text{mV}$ and an output voltage of $4.84\ \text{V}$ ($V_{OUT} = 698 \cdot 6.93\ \text{mV} = 4.84\ \text{V}$, see Figure 13). For more detailed design procedures and results, refer to the reference guide, *RTD to Voltage Reference Design Using Instrumentation Amplifier and Current Reference* (TIDU969).

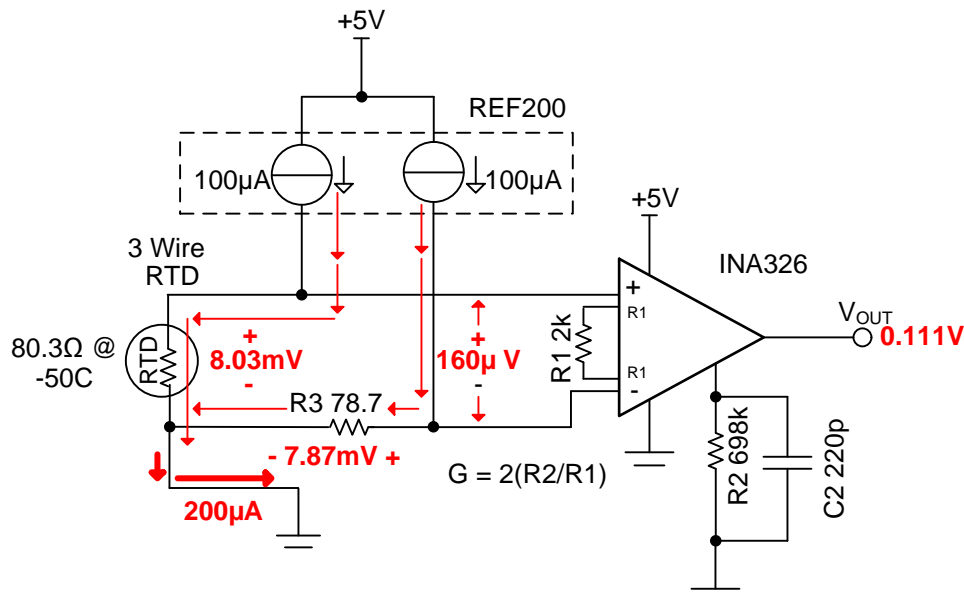


Figure 12. RTD Amplifier with Minimum Output Condition

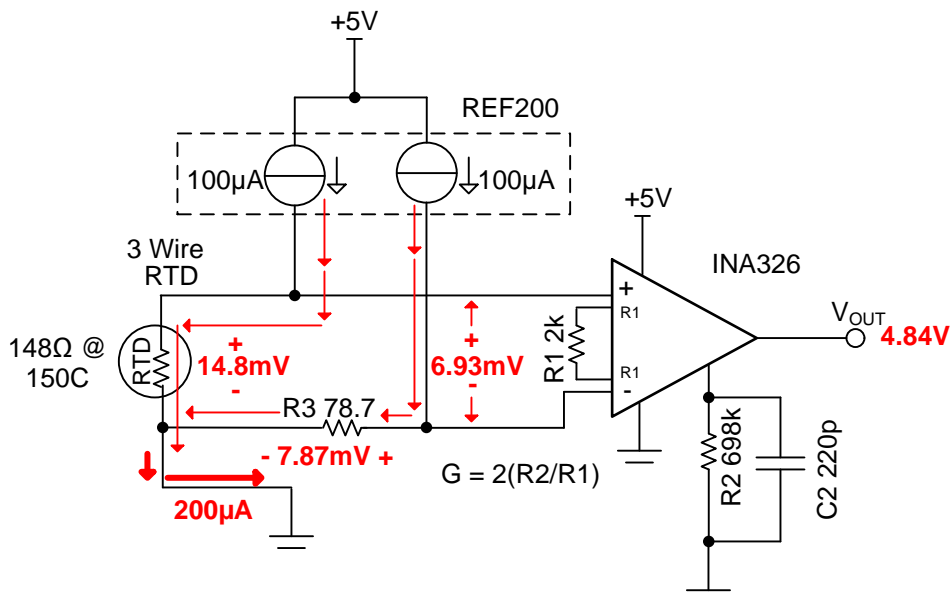


Figure 13. RTD Amplifier with Maximum Output Condition

8.2.2.1 Lead Resistance Cancellation (3-Wire RTD)

Figure 14 shows the 3-wire RTD configuration can be used to cancel lead resistance. The resistance in each lead must be equal to cancel the error. Also, the two current sources in the REF200 must be equal. Notice that the voltage developed on the two top leads of the RTD are equal and opposite polarity so that the amplifiers input is only from the RTD voltage. In this example, the RTD drop is 14.8 mV and the leads each have 1 mV. Notice that the 1 mV drops cancel. Finally, notice that the voltage on the 3rd lead (2 mV) creates a small shift in the common mode voltage. In some applications, a larger resistor is intentionally added to shift the common-mode voltage. However, the INA326 has a rail-to-rail common mode range, so it can accept common-mode voltages near ground.

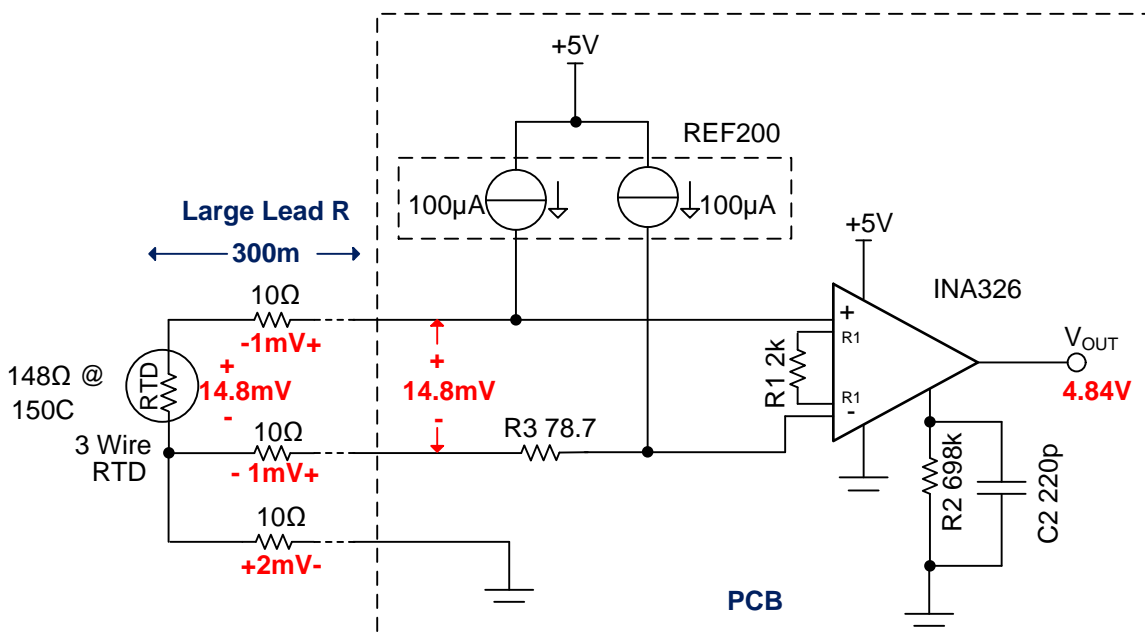
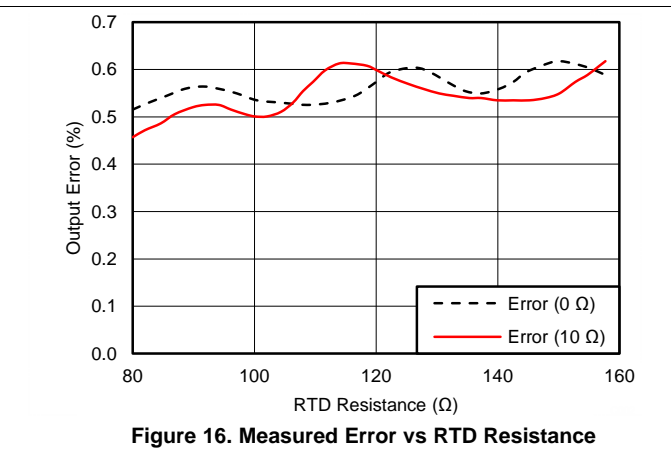
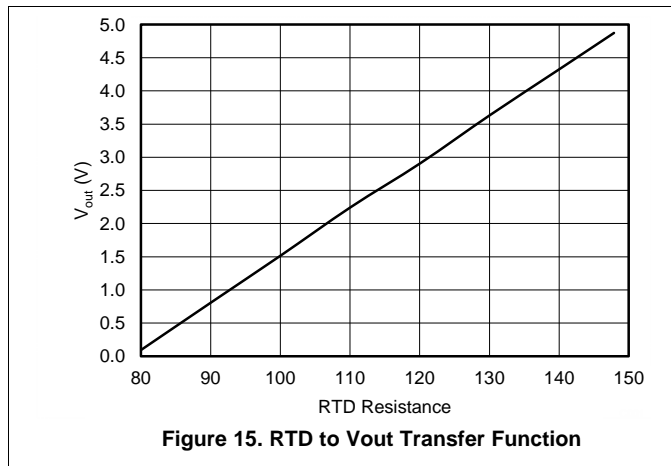
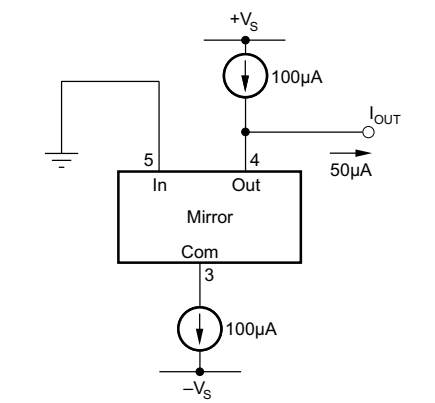
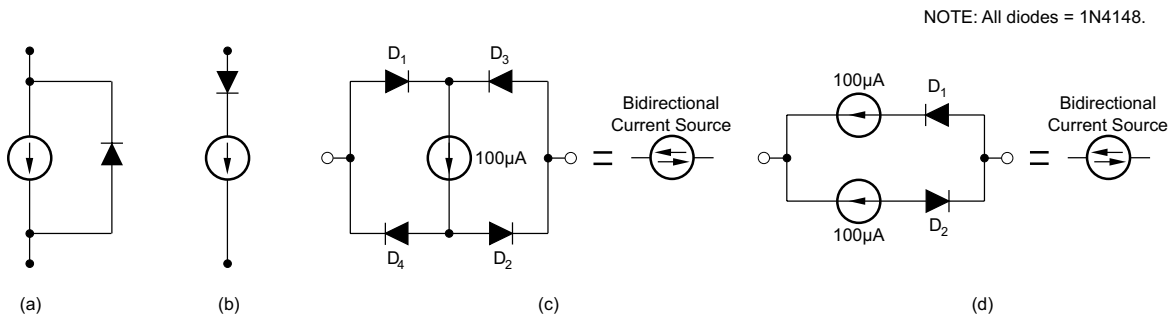


Figure 14. 3-Wire RTD Configuration Cancels Lead Resistance

8.2.3 Application Curves



8.3 System Examples



System Examples (continued)

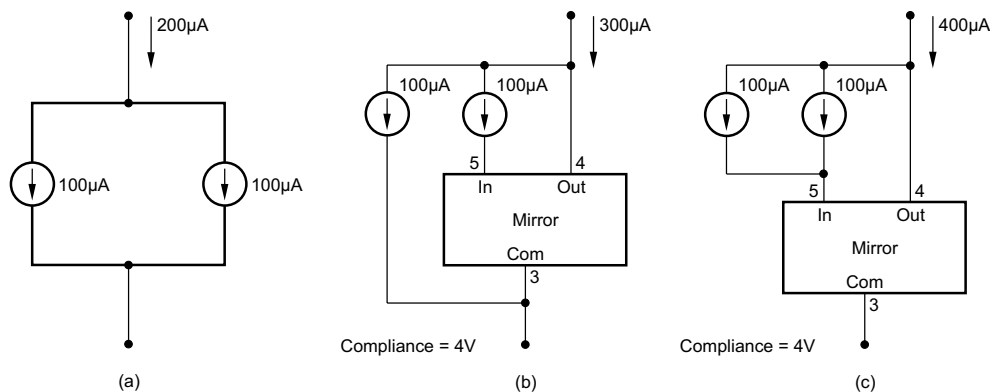


Figure 19. 200-µA, 300-µA, and 400-µA Floating Current Sources

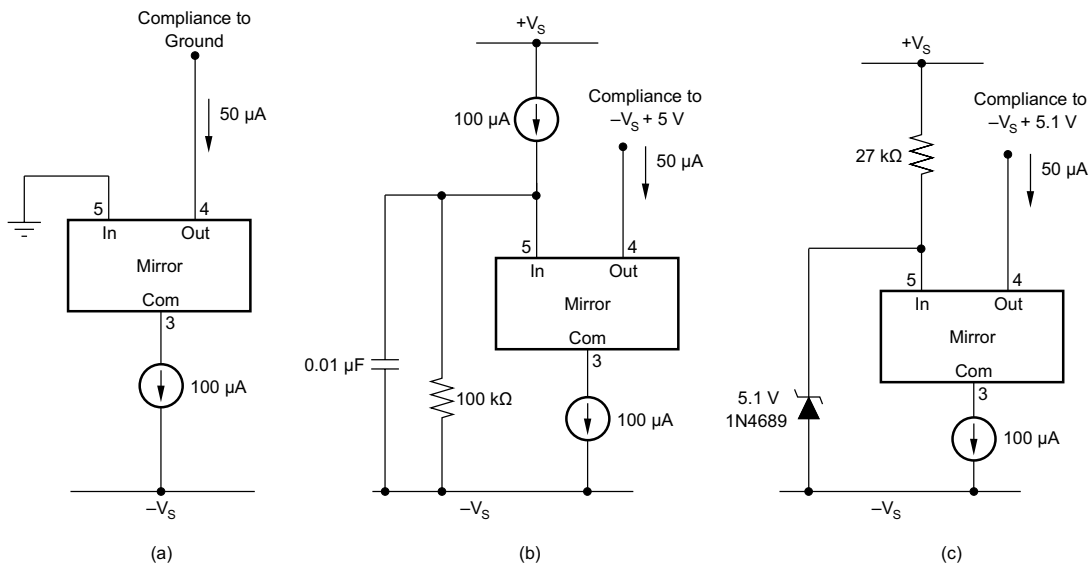


Figure 20. 50-µA Current Sinks

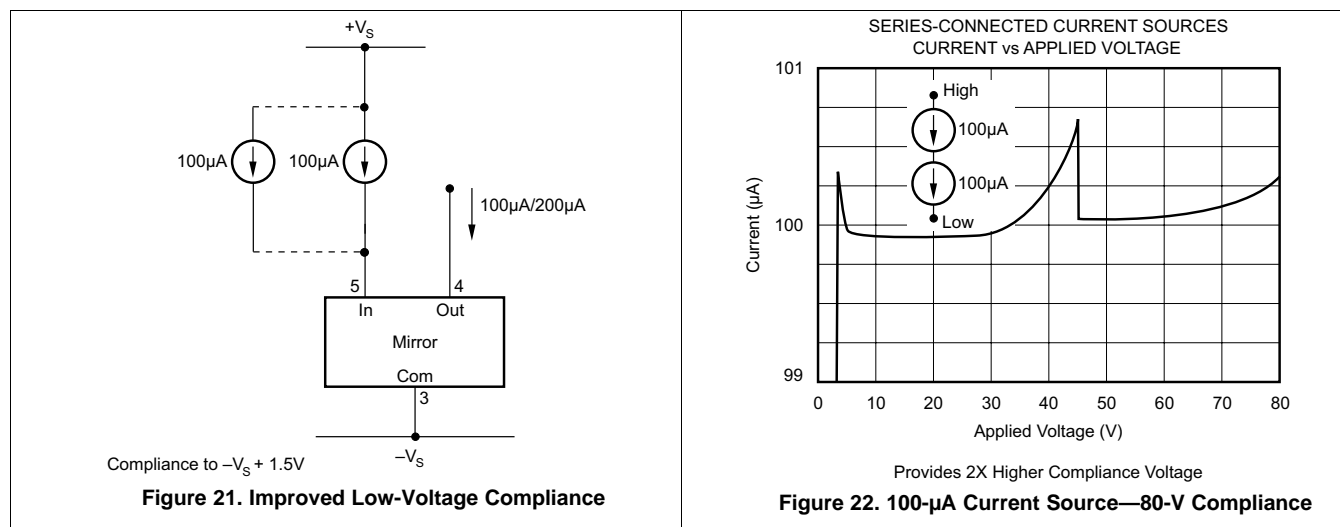
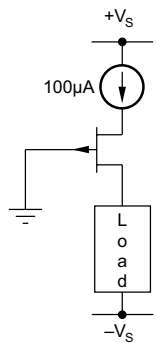


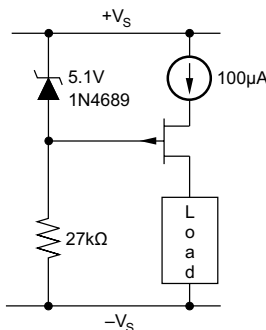
Figure 21. Improved Low-Voltage Compliance

Figure 22. 100-µA Current Source—80-V Compliance

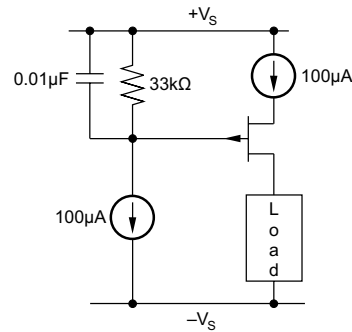
System Examples (continued)



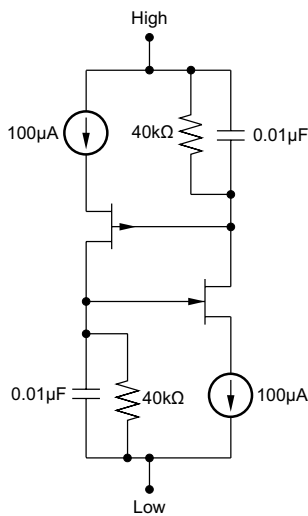
(a) Compliance approximate to Gnd. HV compliance limited by FET breakdown.



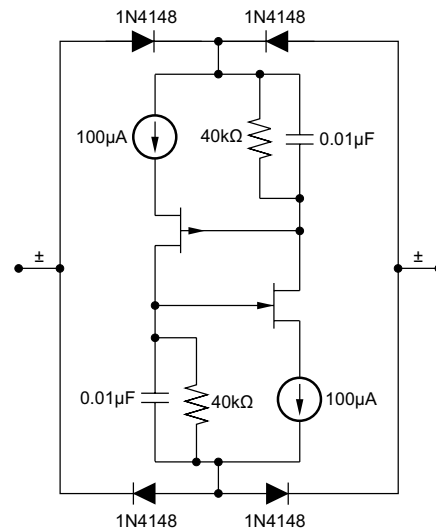
(c)



(b) Compliance to +Vs – 5V.



(d) Floating 200µA cascoded current source.

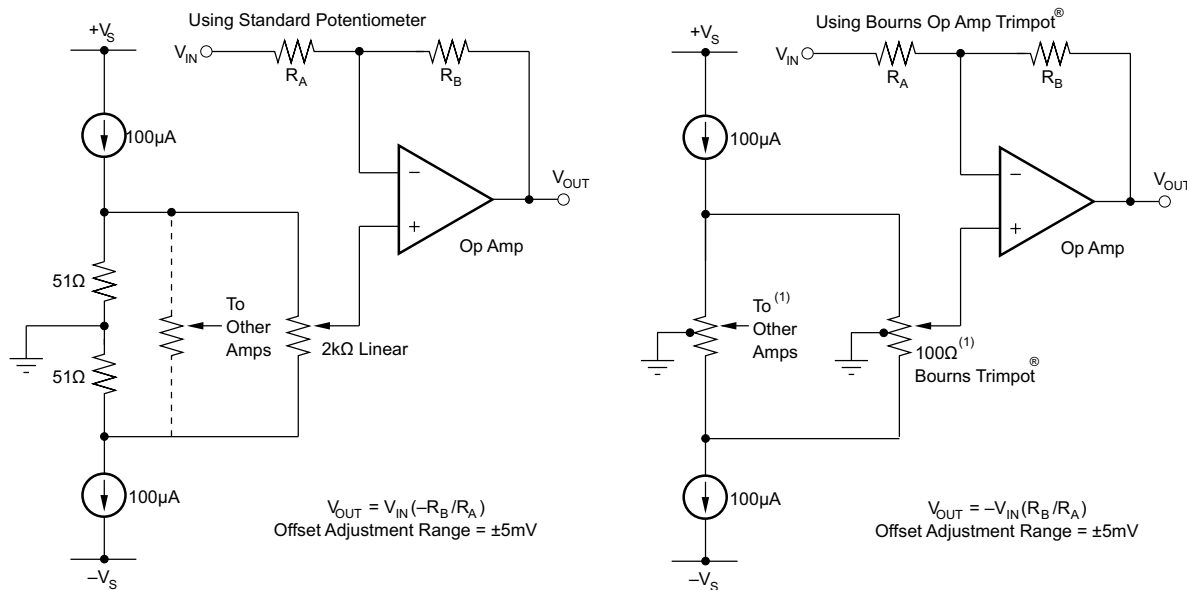


(e) Bidirectional 200µA cascoded current source.

NOTES: (1) FET cascoded current sources offer improved output impedance and high frequency operation. Circuit in (b) also provides improved PSRR. (2) For current sinks (Circuits (a) and (b) only), invert circuits and use “N” channel JFETS.

Figure 23. FET Cascode Circuits

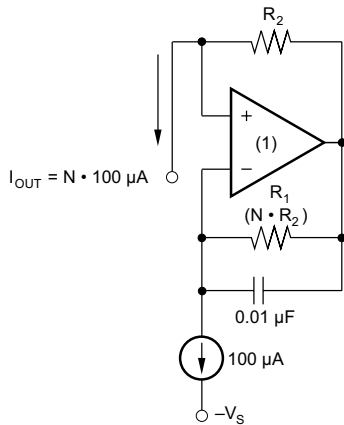
System Examples (continued)



NOTE: (1) For N Op Amps, use Potentiometer Resistance = $N \cdot 100\Omega$.

Figure 24. Operational Amplifier Offset Adjustment Circuits

System Examples (continued)



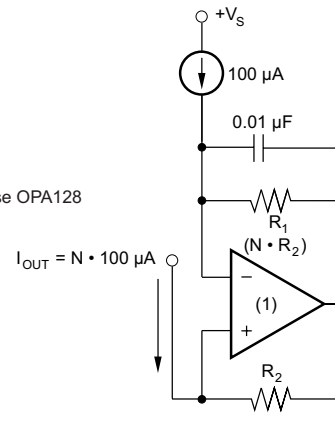
(a)

NOTE: (1) OPA602 or OPA128

EXAMPLES

R ₁	R ₂	I _{OUT}
100 Ω	10 MΩ	1 nA
10 kΩ	1 MΩ	1 μA
10 kΩ	1 kΩ	1 mA

→ Use OPA128



(b)

FEATURES:

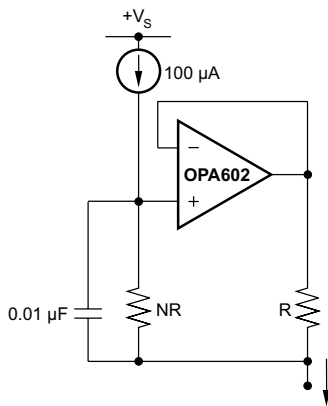
- (1) Zero volts shunt compliance.
- (2) Adjustable only to values above reference value.

NOTE:

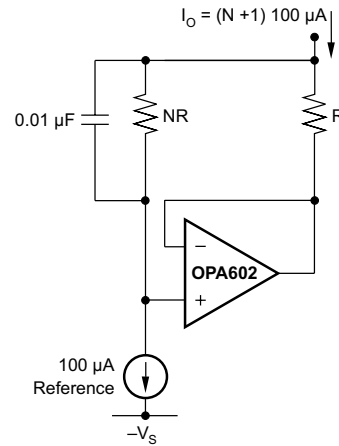
Current source/sink swing to the Load Return rail is limited only by the op amp's input common mode range and output swing capability. Voltage drop across R can be tailored for any amplifier to allow swing to zero volts from rail.

EXAMPLES

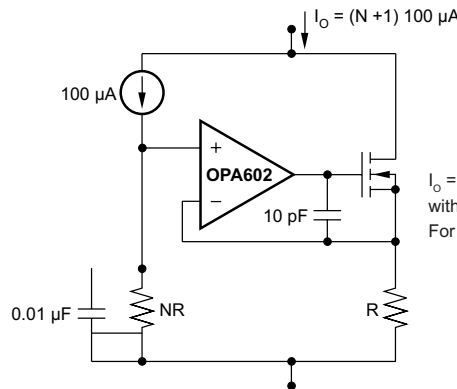
R	NR	I _{OUT}
1 kΩ	4 kΩ	500 μA
1 kΩ	9 kΩ	1 mA
100 kΩ	9.9 kΩ	10 mA



(c)



(d)



(e)

I_o = 100 μA (N + 1). Compliance ≫ 3.5 V with 0.1 V across R. Max I_o limited by FET. For I_o = 1 A, R = 0.1 Ω, NR = 1 kΩ.

Figure 25. Adjustable Current Sources

System Examples (continued)

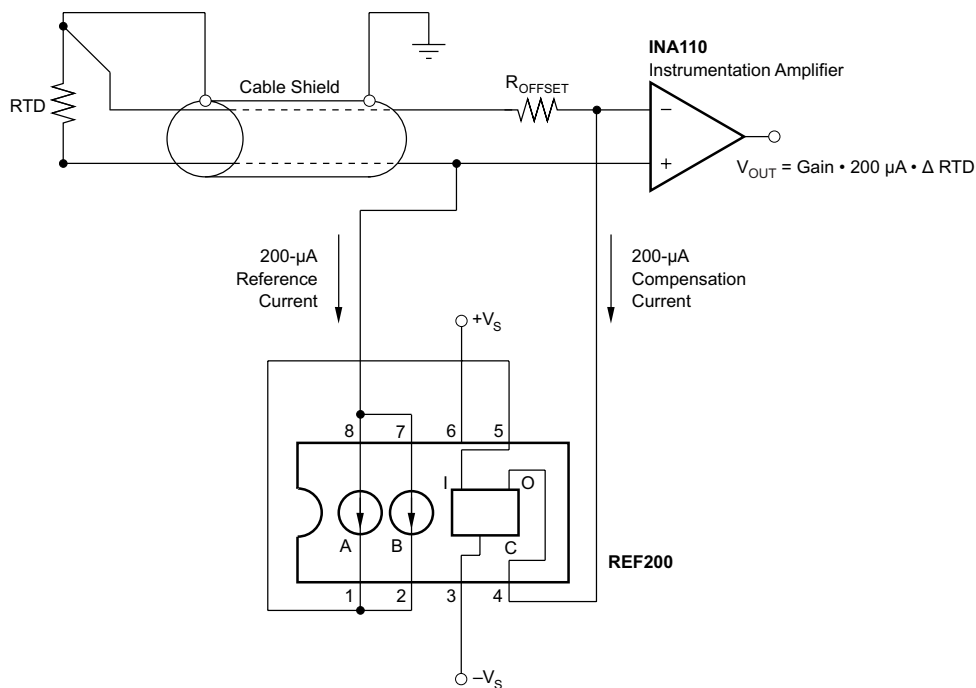
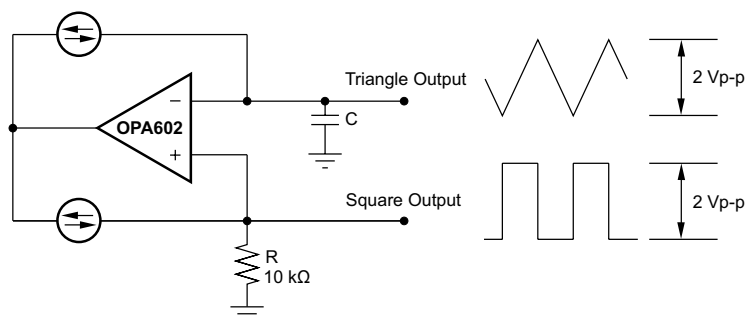


Figure 26. RTD Excitation With Three-Wire Lead Resistance Compensation



Frequency = $1/4RC$ (Hz)
 Frequency = $25/C$ (Hz)
 (C is in μF and R = 10 k Ω)

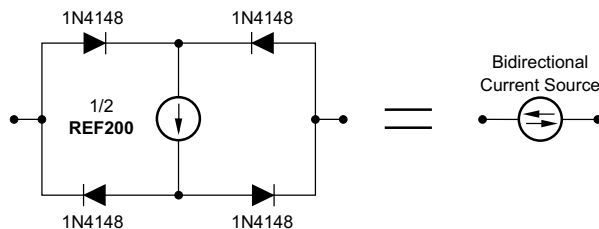
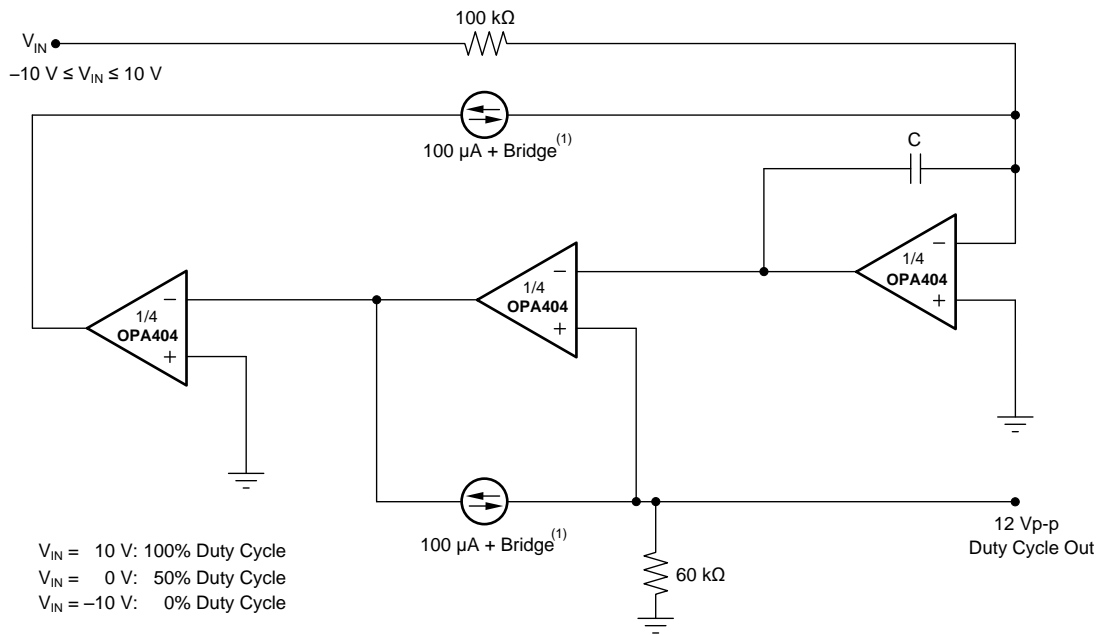


Figure 27. Precision Triangle Waveform Generator

System Examples (continued)



(1) See Figure 27.

Figure 28. Precision Duty-Cycle Modulator

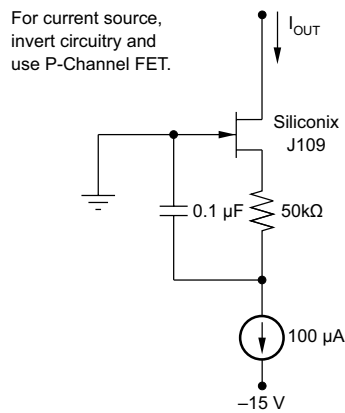


Figure 29. Low Noise Current Sink

System Examples (continued)

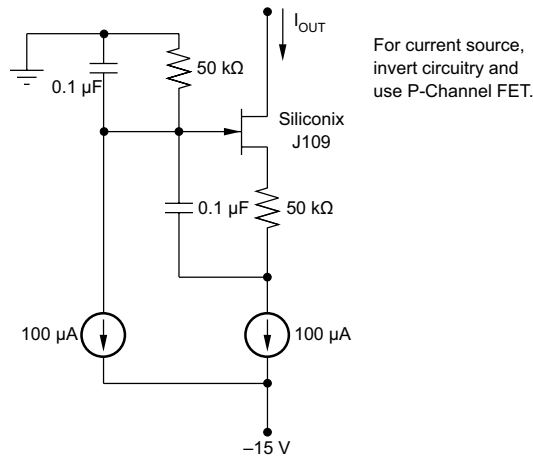
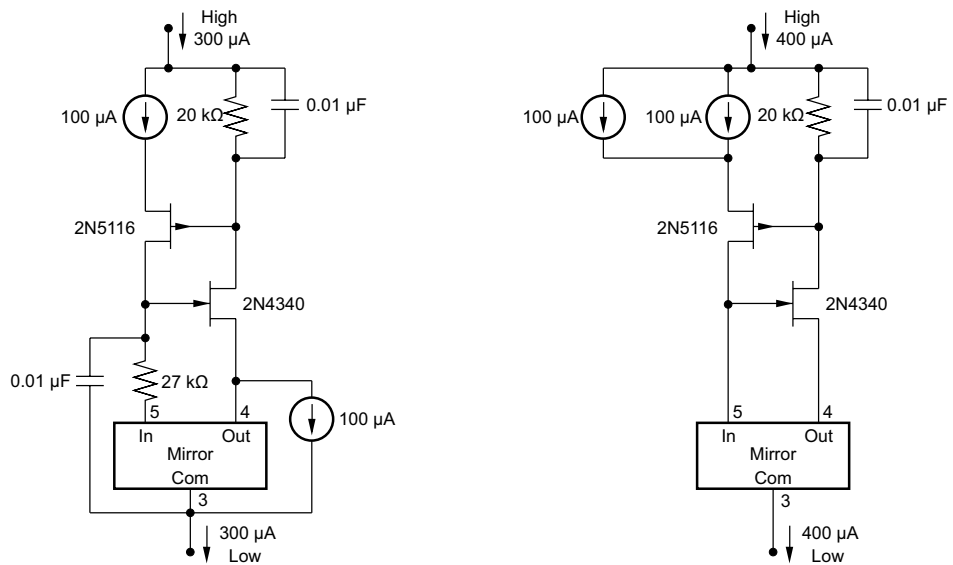


Figure 30. Low Noise Current Sink With Compliance Below Ground



(a) Regulation (15 V to 30 V = 0.00003%/V (10 GW)

(a) Regulation (15 V to 30 V = 0.000025%/V (10 μW)

Figure 31. Floating 300-μA and 400-μA Cascoded Current Sources

System Examples (continued)

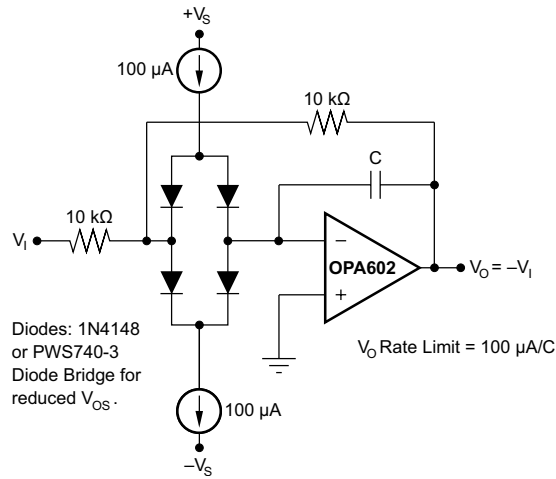


Figure 32. Rate Limiter

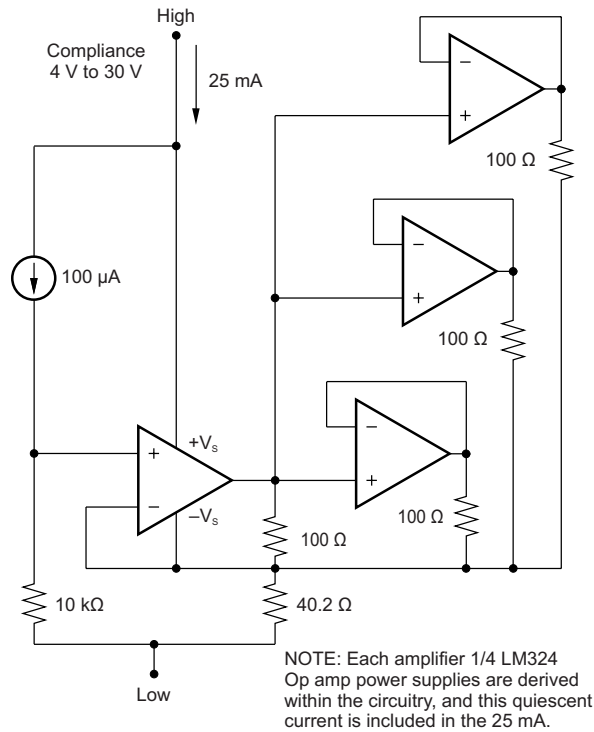


Figure 33. 25-mA Floating Current Source

System Examples (continued)

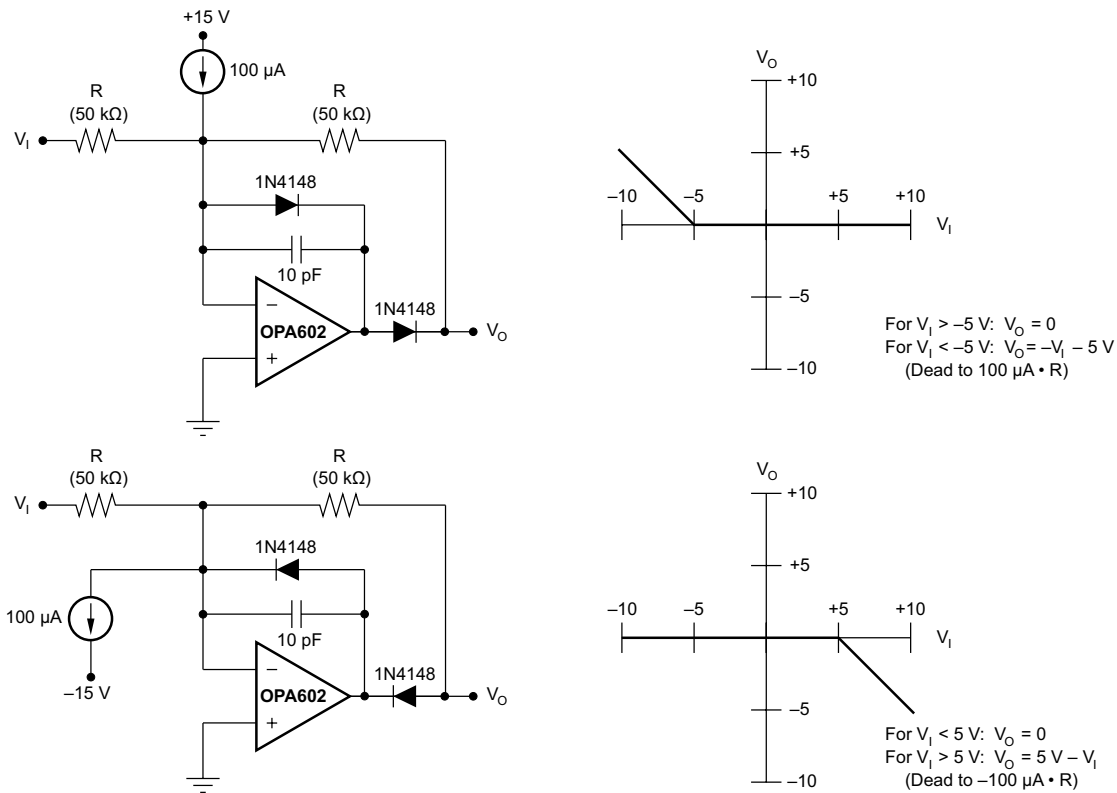


Figure 34. Dead-Band Circuit

System Examples (continued)

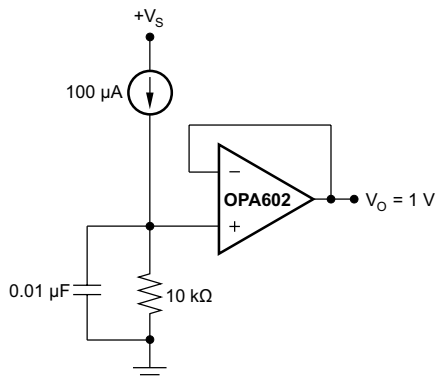
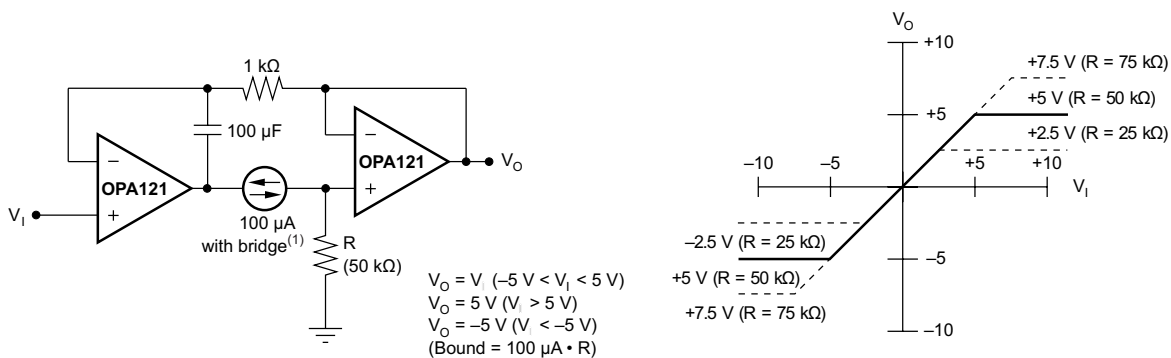


Figure 37. Voltage Reference



(1) See Figure 17.

Figure 38. Bipolar Limiting Circuit

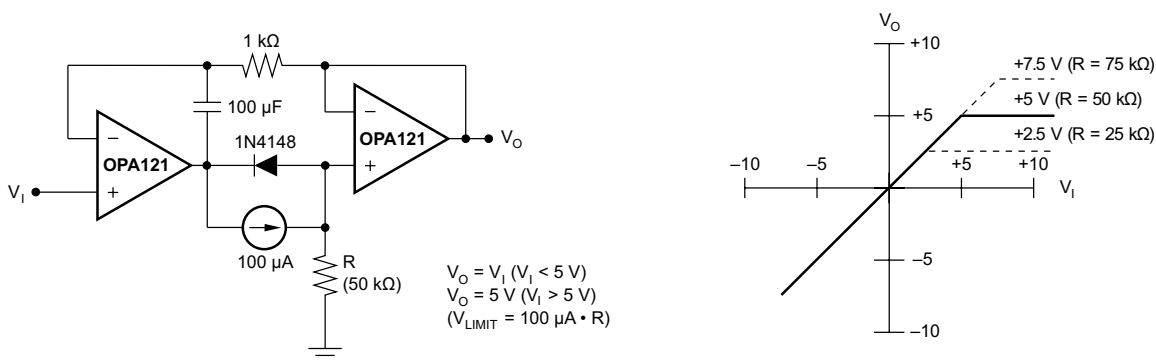


Figure 39. Limiting Circuit

System Examples (continued)

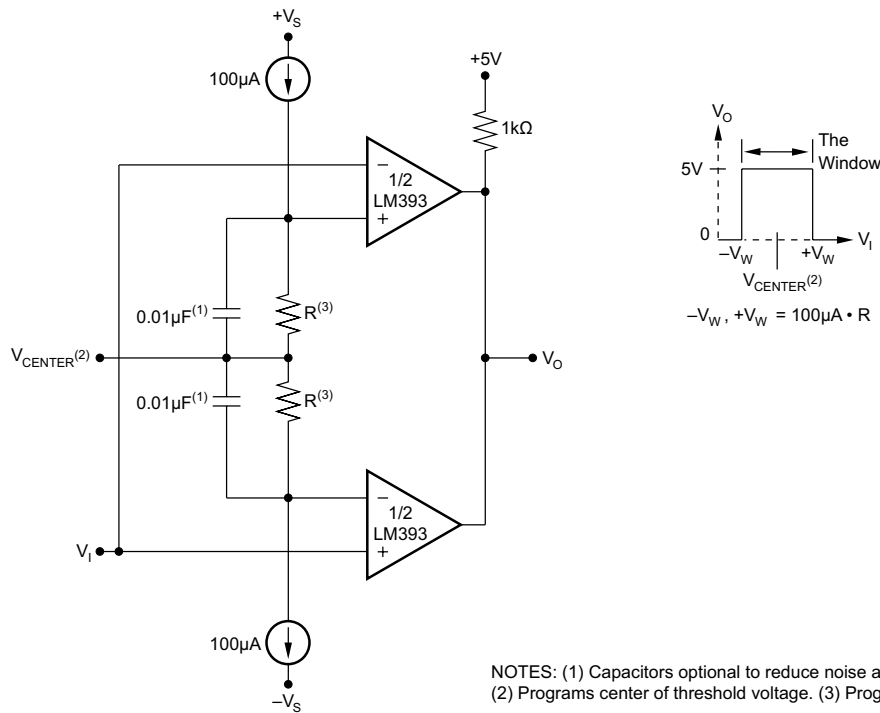


Figure 40. Window Comparator

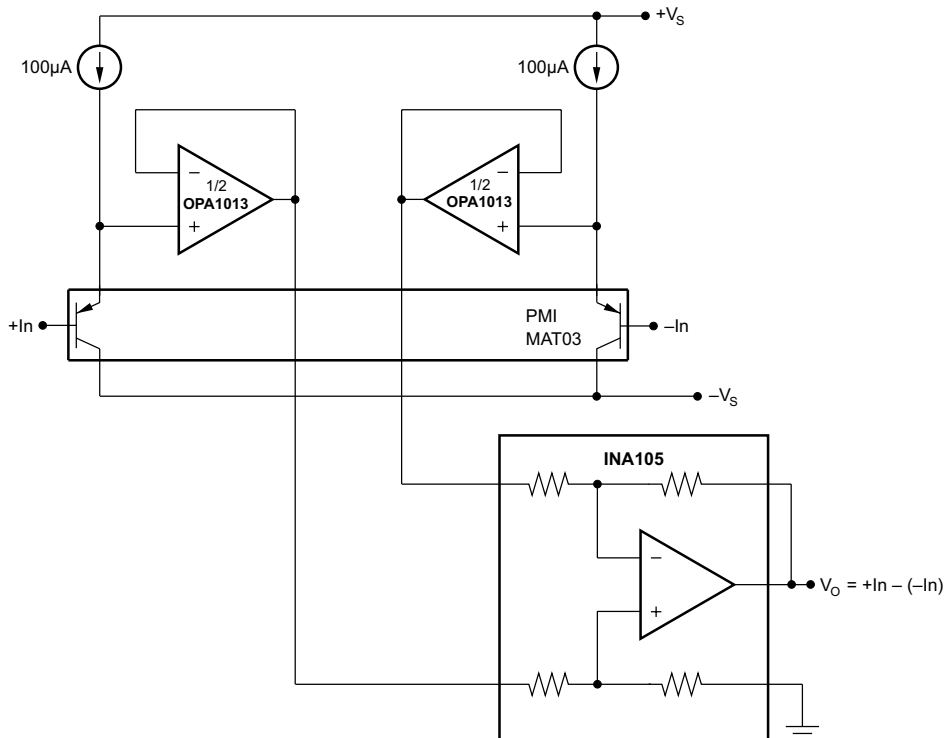


Figure 41. Instrumentation Amplifier With Compliance to $-V_S$

9 Power Supply Recommendations

The REF200 device has completely floating current sources and current mirror. The REF200 device has a wide compliance voltage range from 2.5 V to 40 V.

10 Layout

10.1 Layout Guidelines

Figure 42 illustrates an example of a printed-circuit-board (PCB) layout for a data acquisition system using the REF2030. Some key considerations are:

- Minimize trace lengths in the current source and current mirror paths to reduce impedance.
- Using a solid ground plane helps distribute heat and reduces electromagnetic interference (EMI) noise pickup.
- Place the external components as close to the device as possible. This configuration prevents parasitic errors (such as the Seebeck effect) from occurring.
- Do not run sensitive analog traces in parallel with digital traces. Avoid crossing digital and analog traces if possible, and only make perpendicular crossings when absolutely necessary.

10.2 Layout Example

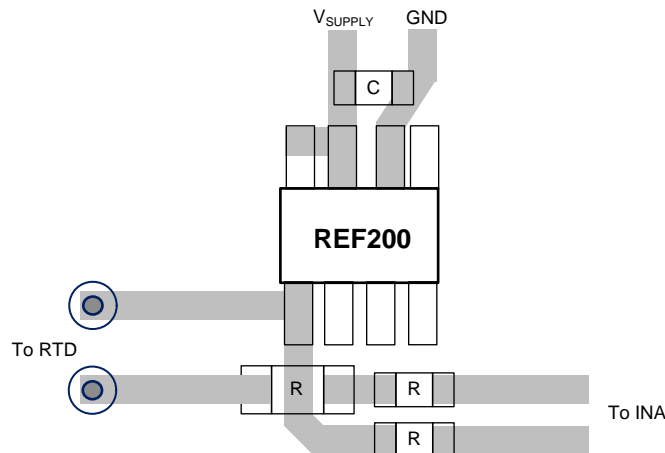


Figure 42. Example Layout of REF200 in a RTD Measurement System

11 Device and Documentation Support

11.1 Documentation Support

11.1.1 Related Documentation

- *RTD to Voltage Reference Design Using Instrumentation Amplifier and Current Reference*, [TIDU969](#)
- *Implementation and Applications of Current Sources and Current Receivers*, [SBOA046](#)

11.2 Community Resources

The following links connect to TI community resources. Linked contents are provided "AS IS" by the respective contributors. They do not constitute TI specifications and do not necessarily reflect TI's views; see TI's [Terms of Use](#).

TI E2E™ Online Community *TI's Engineer-to-Engineer (E2E) Community*. Created to foster collaboration among engineers. At [e2e.ti.com](#), you can ask questions, share knowledge, explore ideas and help solve problems with fellow engineers.

Design Support *TI's Design Support* Quickly find helpful E2E forums along with design support tools and contact information for technical support.

11.3 Trademarks

E2E is a trademark of Texas Instruments.
All other trademarks are the property of their respective owners.

11.4 Electrostatic Discharge Caution



These devices have limited built-in ESD protection. The leads should be shorted together or the device placed in conductive foam during storage or handling to prevent electrostatic damage to the MOS gates.

11.5 Glossary

[SLYZ022](#) — *TI Glossary*.

This glossary lists and explains terms, acronyms, and definitions.

12 Mechanical, Packaging, and Orderable Information

The following pages include mechanical, packaging, and orderable information. This information is the most current data available for the designated devices. This data is subject to change without notice and revision of this document. For browser-based versions of this data sheet, refer to the left-hand navigation.

PACKAGING INFORMATION

Orderable Device	Status (1)	Package Type	Package Drawing	Pins	Package Qty	Eco Plan (2)	Lead/Ball Finish (6)	MSL Peak Temp (3)	Op Temp (°C)	Device Marking (4/5)	Samples
REF200AU	ACTIVE	SOIC	D	8	75	Green (RoHS & no Sb/Br)	CU NIPDAU	Level-3-260C-168 HR	-25 to 85	REF 200U	Samples
REF200AU/2K5	ACTIVE	SOIC	D	8	2500	Green (RoHS & no Sb/Br)	CU NIPDAU	Level-3-260C-168 HR	-25 to 85	REF 200U	Samples
REF200AU/2K5E4	ACTIVE	SOIC	D	8	2500	Green (RoHS & no Sb/Br)	CU NIPDAU	Level-3-260C-168 HR	-25 to 85	REF 200U	Samples
REF200AUE4	ACTIVE	SOIC	D	8	75	Green (RoHS & no Sb/Br)	CU NIPDAU	Level-3-260C-168 HR	-25 to 85	REF 200U	Samples

(1) The marketing status values are defined as follows:

ACTIVE: Product device recommended for new designs.

LIFEBUY: TI has announced that the device will be discontinued, and a lifetime-buy period is in effect.

NRND: Not recommended for new designs. Device is in production to support existing customers, but TI does not recommend using this part in a new design.

PREVIEW: Device has been announced but is not in production. Samples may or may not be available.

OBSOLETE: TI has discontinued the production of the device.

(2) **RoHS:** TI defines "RoHS" to mean semiconductor products that are compliant with the current EU RoHS requirements for all 10 RoHS substances, including the requirement that RoHS substance do not exceed 0.1% by weight in homogeneous materials. Where designed to be soldered at high temperatures, "RoHS" products are suitable for use in specified lead-free processes. TI may reference these types of products as "Pb-Free".

RoHS Exempt: TI defines "RoHS Exempt" to mean products that contain lead but are compliant with EU RoHS pursuant to a specific EU RoHS exemption.

Green: TI defines "Green" to mean the content of Chlorine (Cl) and Bromine (Br) based flame retardants meet JS709B low halogen requirements of <=1000ppm threshold. Antimony trioxide based flame retardants must also meet the <=1000ppm threshold requirement.

(3) MSL, Peak Temp. - The Moisture Sensitivity Level rating according to the JEDEC industry standard classifications, and peak solder temperature.

(4) There may be additional marking, which relates to the logo, the lot trace code information, or the environmental category on the device.

(5) Multiple Device Markings will be inside parentheses. Only one Device Marking contained in parentheses and separated by a "-" will appear on a device. If a line is indented then it is a continuation of the previous line and the two combined represent the entire Device Marking for that device.

(6) Lead/Ball Finish - Orderable Devices may have multiple material finish options. Finish options are separated by a vertical ruled line. Lead/Ball Finish values may wrap to two lines if the finish value exceeds the maximum column width.

Important Information and Disclaimer: The information provided on this page represents TI's knowledge and belief as of the date that it is provided. TI bases its knowledge and belief on information provided by third parties, and makes no representation or warranty as to the accuracy of such information. Efforts are underway to better integrate information from third parties. TI has taken and

continues to take reasonable steps to provide representative and accurate information but may not have conducted destructive testing or chemical analysis on incoming materials and chemicals. TI and TI suppliers consider certain information to be proprietary, and thus CAS numbers and other limited information may not be available for release.

In no event shall TI's liability arising out of such information exceed the total purchase price of the TI part(s) at issue in this document sold by TI to Customer on an annual basis.

TAPE AND REEL INFORMATION



QUADRANT ASSIGNMENTS FOR PIN 1 ORIENTATION IN TAPE



*All dimensions are nominal

Device	Package Type	Package Drawing	Pins	SPQ	Reel Diameter (mm)	Reel Width W1 (mm)	A0 (mm)	B0 (mm)	K0 (mm)	P1 (mm)	W (mm)	Pin1 Quadrant
REF200AU/2K5	SOIC	D	8	2500	330.0	12.4	6.4	5.2	2.1	8.0	12.0	Q1

TAPE AND REEL BOX DIMENSIONS



*All dimensions are nominal

Device	Package Type	Package Drawing	Pins	SPQ	Length (mm)	Width (mm)	Height (mm)
REF200AU/2K5	SOIC	D	8	2500	367.0	367.0	35.0

D (R-PDSO-G8)

PLASTIC SMALL OUTLINE



4040047-3/M 06/11

D (R-PDSO-G8)

PLASTIC SMALL OUTLINE



- NOTES:
- All linear dimensions are in millimeters.
 - This drawing is subject to change without notice.
 - Publication IPC-7351 is recommended for alternate designs.
 - Laser cutting apertures with trapezoidal walls and also rounding corners will offer better paste release. Customers should contact their board assembly site for stencil design recommendations. Refer to IPC-7525 for other stencil recommendations.
 - Customers should contact their board fabrication site for solder mask tolerances between and around signal pads.

IMPORTANT NOTICE

Texas Instruments Incorporated (TI) reserves the right to make corrections, enhancements, improvements and other changes to its semiconductor products and services per JESD46, latest issue, and to discontinue any product or service per JESD48, latest issue. Buyers should obtain the latest relevant information before placing orders and should verify that such information is current and complete.

TI's published terms of sale for semiconductor products (<http://www.ti.com/sc/docs/stdterms.htm>) apply to the sale of packaged integrated circuit products that TI has qualified and released to market. Additional terms may apply to the use or sale of other types of TI products and services.

Reproduction of significant portions of TI information in TI data sheets is permissible only if reproduction is without alteration and is accompanied by all associated warranties, conditions, limitations, and notices. TI is not responsible or liable for such reproduced documentation. Information of third parties may be subject to additional restrictions. Resale of TI products or services with statements different from or beyond the parameters stated by TI for that product or service voids all express and any implied warranties for the associated TI product or service and is an unfair and deceptive business practice. TI is not responsible or liable for any such statements.

Buyers and others who are developing systems that incorporate TI products (collectively, "Designers") understand and agree that Designers remain responsible for using their independent analysis, evaluation and judgment in designing their applications and that Designers have full and exclusive responsibility to assure the safety of Designers' applications and compliance of their applications (and of all TI products used in or for Designers' applications) with all applicable regulations, laws and other applicable requirements. Designer represents that, with respect to their applications, Designer has all the necessary expertise to create and implement safeguards that (1) anticipate dangerous consequences of failures, (2) monitor failures and their consequences, and (3) lessen the likelihood of failures that might cause harm and take appropriate actions. Designer agrees that prior to using or distributing any applications that include TI products, Designer will thoroughly test such applications and the functionality of such TI products as used in such applications.

TI's provision of technical, application or other design advice, quality characterization, reliability data or other services or information, including, but not limited to, reference designs and materials relating to evaluation modules, (collectively, "TI Resources") are intended to assist designers who are developing applications that incorporate TI products; by downloading, accessing or using TI Resources in any way, Designer (individually or, if Designer is acting on behalf of a company, Designer's company) agrees to use any particular TI Resource solely for this purpose and subject to the terms of this Notice.

TI's provision of TI Resources does not expand or otherwise alter TI's applicable published warranties or warranty disclaimers for TI products, and no additional obligations or liabilities arise from TI providing such TI Resources. TI reserves the right to make corrections, enhancements, improvements and other changes to its TI Resources. TI has not conducted any testing other than that specifically described in the published documentation for a particular TI Resource.

Designer is authorized to use, copy and modify any individual TI Resource only in connection with the development of applications that include the TI product(s) identified in such TI Resource. NO OTHER LICENSE, EXPRESS OR IMPLIED, BY ESTOPPEL OR OTHERWISE TO ANY OTHER TI INTELLECTUAL PROPERTY RIGHT, AND NO LICENSE TO ANY TECHNOLOGY OR INTELLECTUAL PROPERTY RIGHT OF TI OR ANY THIRD PARTY IS GRANTED HEREIN, including but not limited to any patent right, copyright, mask work right, or other intellectual property right relating to any combination, machine, or process in which TI products or services are used. Information regarding or referencing third-party products or services does not constitute a license to use such products or services, or a warranty or endorsement thereof. Use of TI Resources may require a license from a third party under the patents or other intellectual property of the third party, or a license from TI under the patents or other intellectual property of TI.

TI RESOURCES ARE PROVIDED "AS IS" AND WITH ALL FAULTS. TI DISCLAIMS ALL OTHER WARRANTIES OR REPRESENTATIONS, EXPRESS OR IMPLIED, REGARDING RESOURCES OR USE THEREOF, INCLUDING BUT NOT LIMITED TO ACCURACY OR COMPLETENESS, TITLE, ANY EPIDEMIC FAILURE WARRANTY AND ANY IMPLIED WARRANTIES OF MERCHANTABILITY, FITNESS FOR A PARTICULAR PURPOSE, AND NON-INFRINGEMENT OF ANY THIRD PARTY INTELLECTUAL PROPERTY RIGHTS. TI SHALL NOT BE LIABLE FOR AND SHALL NOT DEFEND OR INDEMNIFY DESIGNER AGAINST ANY CLAIM, INCLUDING BUT NOT LIMITED TO ANY INFRINGEMENT CLAIM THAT RELATES TO OR IS BASED ON ANY COMBINATION OF PRODUCTS EVEN IF DESCRIBED IN TI RESOURCES OR OTHERWISE. IN NO EVENT SHALL TI BE LIABLE FOR ANY ACTUAL, DIRECT, SPECIAL, COLLATERAL, INDIRECT, PUNITIVE, INCIDENTAL, CONSEQUENTIAL OR EXEMPLARY DAMAGES IN CONNECTION WITH OR ARISING OUT OF TI RESOURCES OR USE THEREOF, AND REGARDLESS OF WHETHER TI HAS BEEN ADVISED OF THE POSSIBILITY OF SUCH DAMAGES.

Unless TI has explicitly designated an individual product as meeting the requirements of a particular industry standard (e.g., ISO/TS 16949 and ISO 26262), TI is not responsible for any failure to meet such industry standard requirements.

Where TI specifically promotes products as facilitating functional safety or as compliant with industry functional safety standards, such products are intended to help enable customers to design and create their own applications that meet applicable functional safety standards and requirements. Using products in an application does not by itself establish any safety features in the application. Designers must ensure compliance with safety-related requirements and standards applicable to their applications. Designer may not use any TI products in life-critical medical equipment unless authorized officers of the parties have executed a special contract specifically governing such use. Life-critical medical equipment is medical equipment where failure of such equipment would cause serious bodily injury or death (e.g., life support, pacemakers, defibrillators, heart pumps, neurostimulators, and implantables). Such equipment includes, without limitation, all medical devices identified by the U.S. Food and Drug Administration as Class III devices and equivalent classifications outside the U.S.

TI may expressly designate certain products as completing a particular qualification (e.g., Q100, Military Grade, or Enhanced Product). Designers agree that it has the necessary expertise to select the product with the appropriate qualification designation for their applications and that proper product selection is at Designers' own risk. Designers are solely responsible for compliance with all legal and regulatory requirements in connection with such selection.

Designer will fully indemnify TI and its representatives against any damages, costs, losses, and/or liabilities arising out of Designer's non-compliance with the terms and provisions of this Notice.