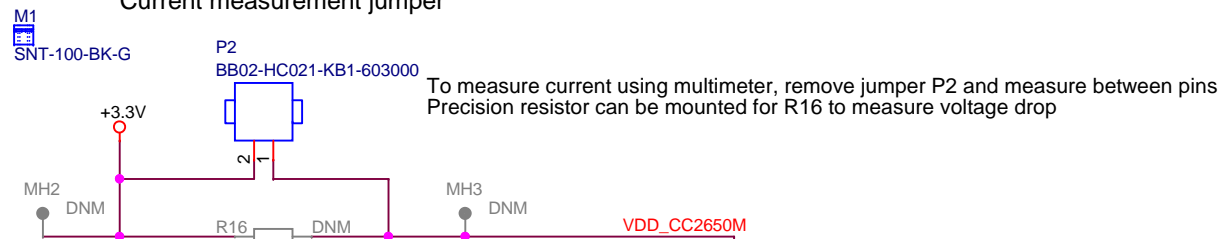
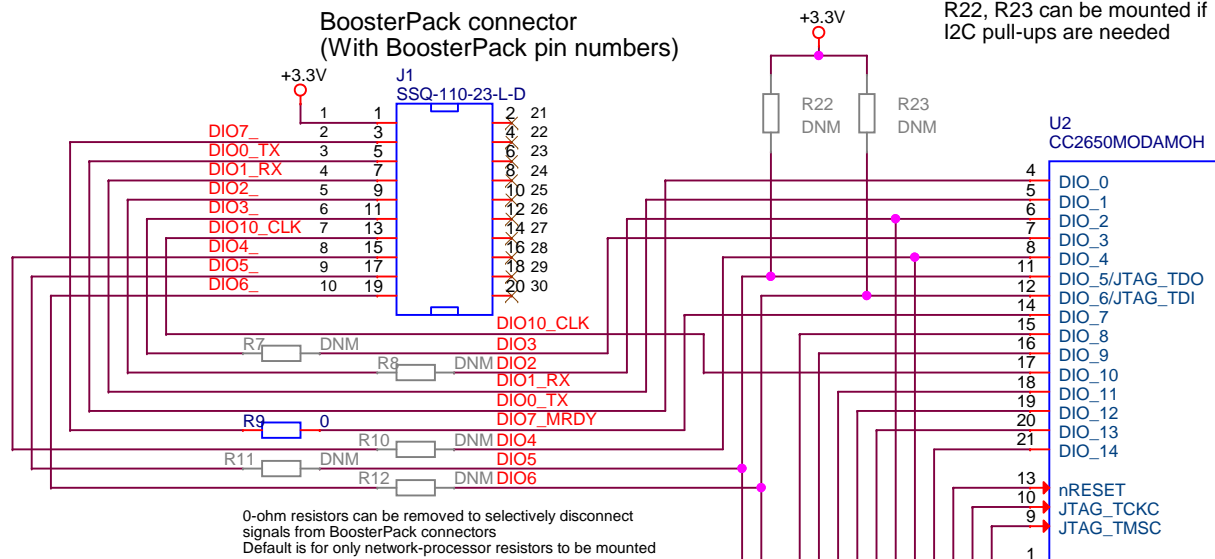


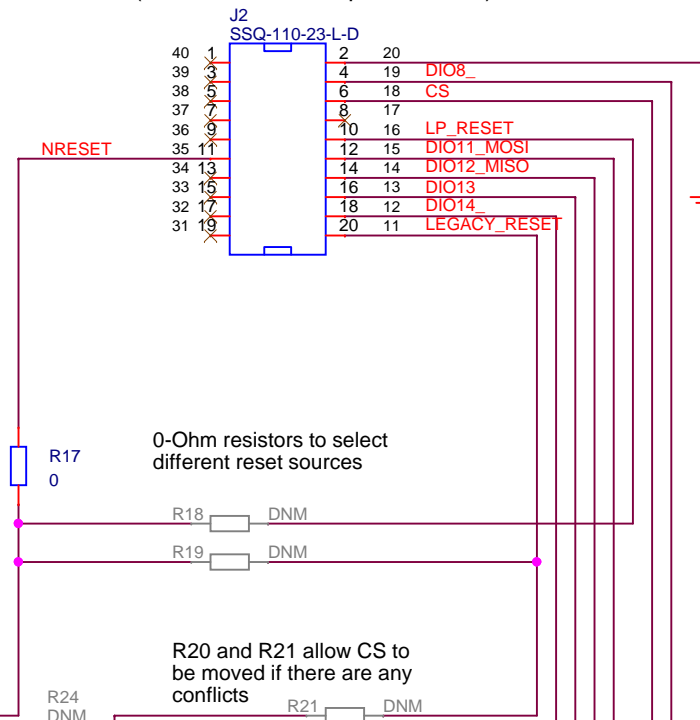
Current measurement jumper



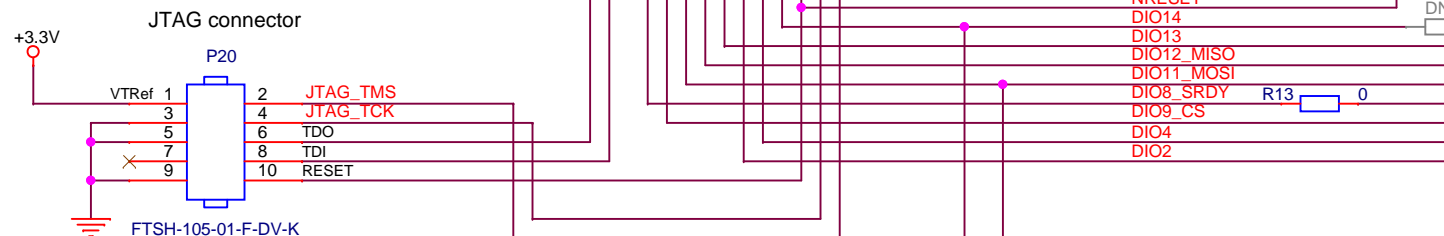
BoosterPack connector
(With BoosterPack pin numbers)



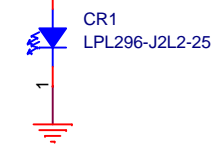
BoosterPack connector
(With BoosterPack pin numbers)



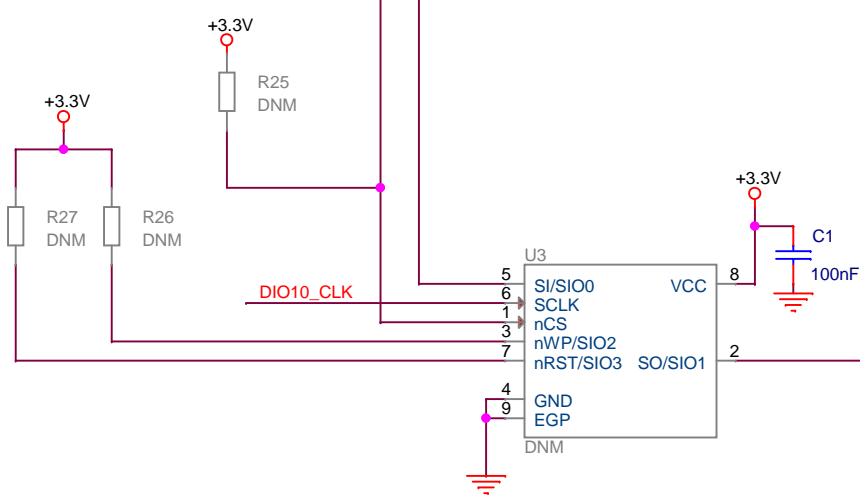
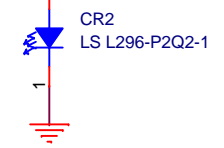
JTAG connector



Green LED



Red LED



NoFlashNWPbp		Title: BOOSTXL-CC2650MA		
Drawn: KHT		Checked: EWI		
Size: A3	Rev: 1.0.1	Sheet: 1 of 1		Date: Thursday, May 12, 2016

Test Pads

Ground test pad

MH1
DNM




FIDU1

FIDU2

FIDU3



Title:	Mechanical		
Drawn:	KHT		
Checked:	NN		
Size:	A3	Rev:	1.0.1
		Sheet:	1 of 1
Date:	Thursday, May 12, 2016		