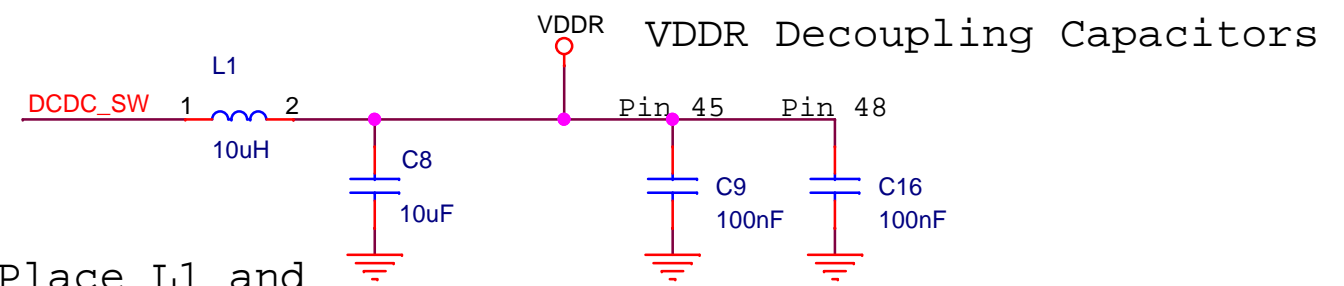
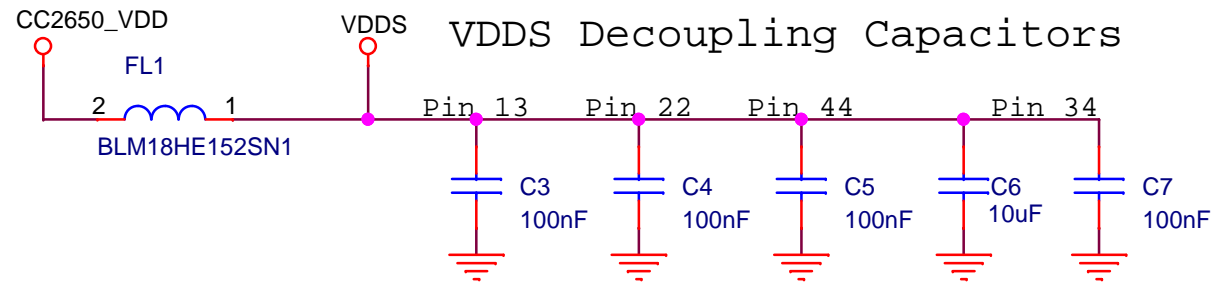
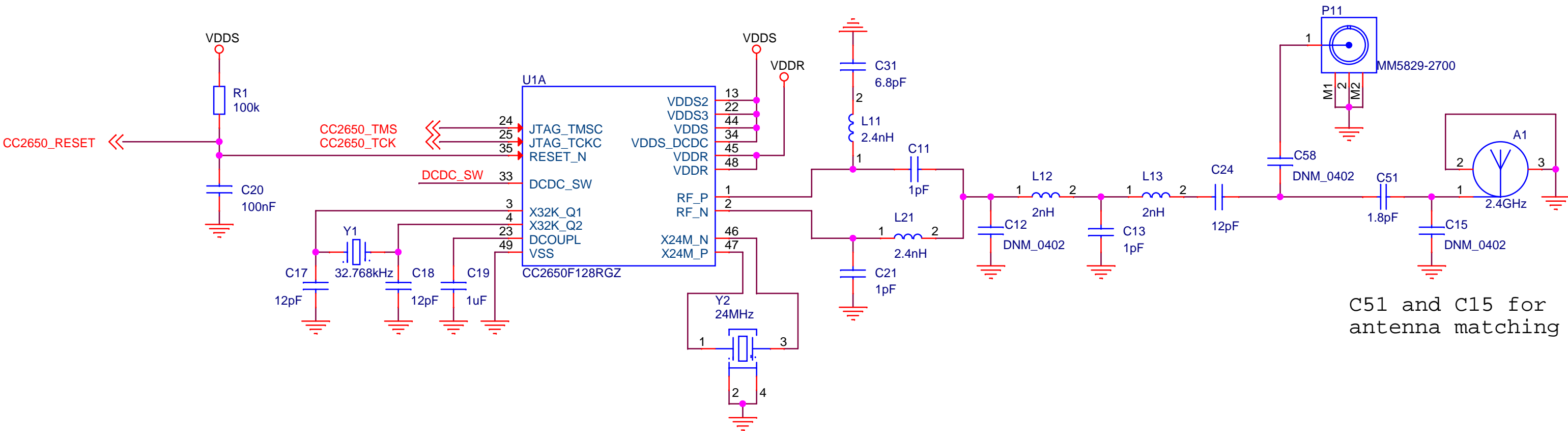


CC2650 RF



Place L1 and C8 close to pin 33

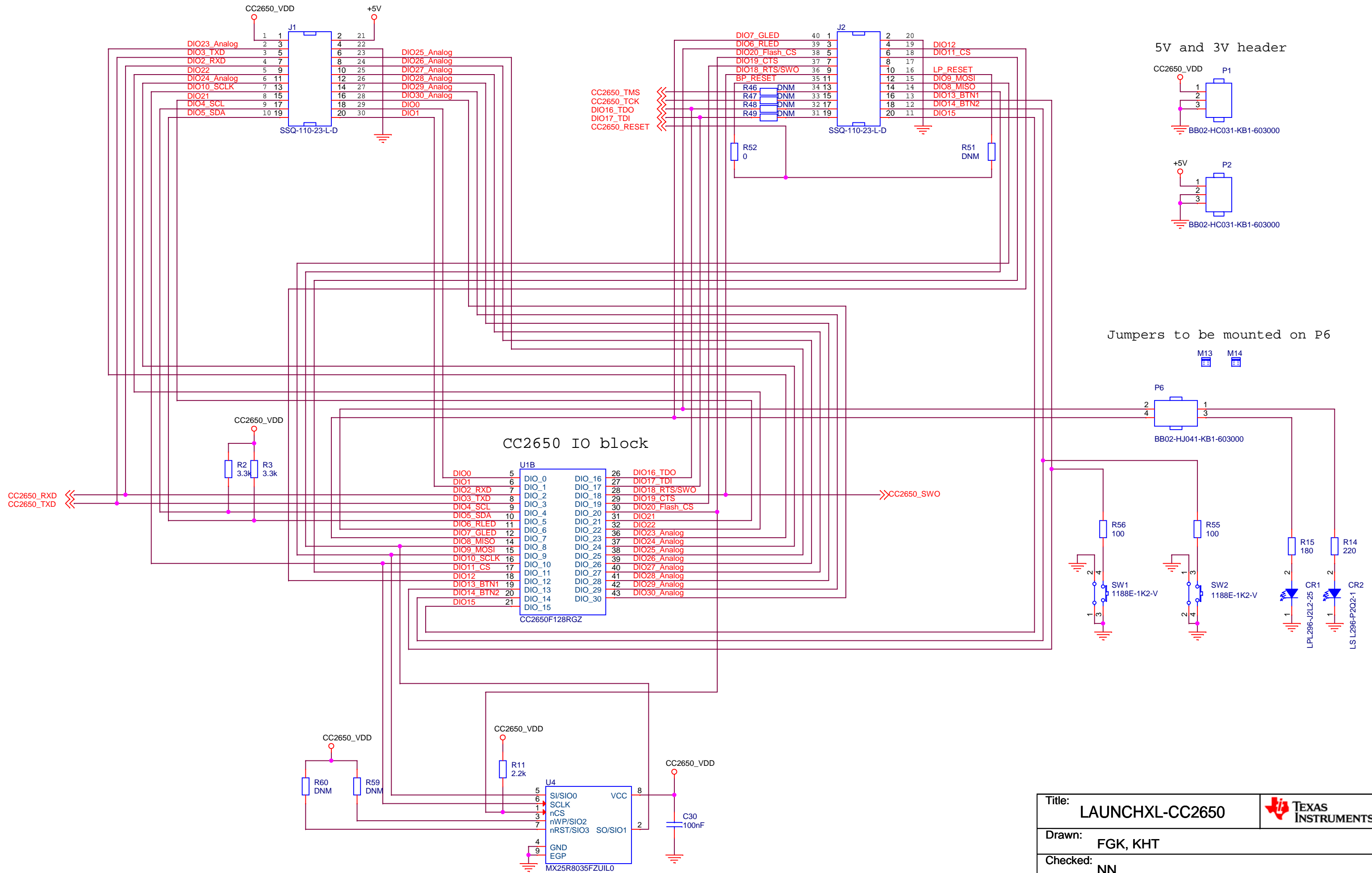


C51 and C15 for antenna matching

CC2650 IO block placed on page 2.

Title:	LAUNCHXL-CC2650		
Drawn:	FGK, KHT		
Checked:	NN		
Size:	A4	Rev: 1.3.0	Sheet: 1 of 5
Date:	Monday, June 06, 2016		

BoosterPack Headers and Peripherals

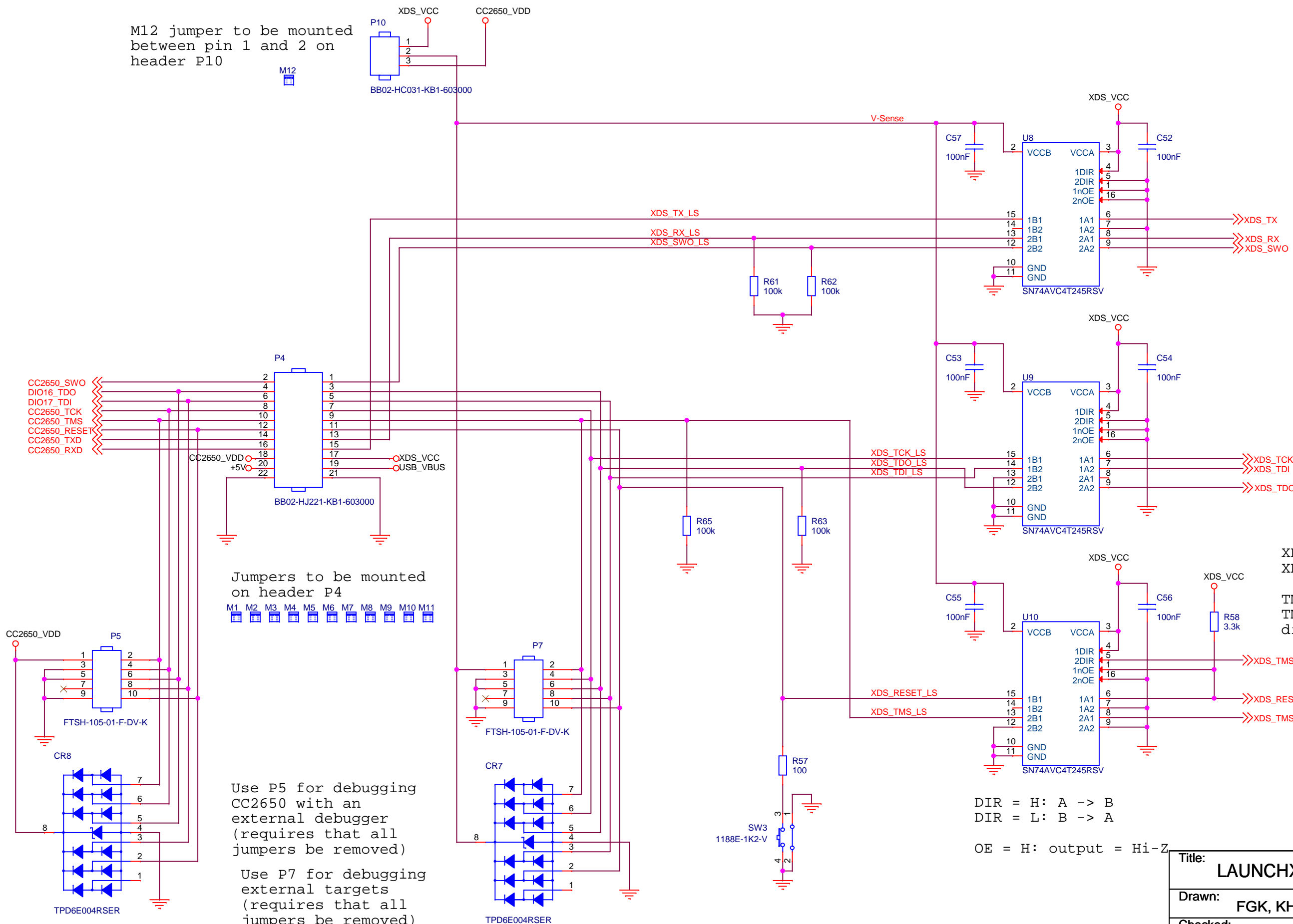


Title:	LAUNCHXL-CC2650		
Drawn:	FGK, KHT		
Checked:	NN		
Size:	A3	Rev: 1.3.0	Sheet: 2 of 5
Date:	Monday, June 06, 2016		

XDS110 Debugger Interface

P10 selects the voltage source for the level shifters
 When powering CC2650 from the XDS supply, connect jumper between pins 1 and 2.
 When powering CC2650 from the external supply, connect jumper between pins 2 and 3.

M12 jumper to be mounted between pin 1 and 2 on header P10



XDS-RST = 0 -> output = 0
 XDS-RST = 1 -> output = Hi-Z

TMS signal is bidirectional.
 TMS_DIR used to control direction of level shifter

DIR = H: A -> B
 DIR = L: B -> A

OE = H: output = Hi-Z

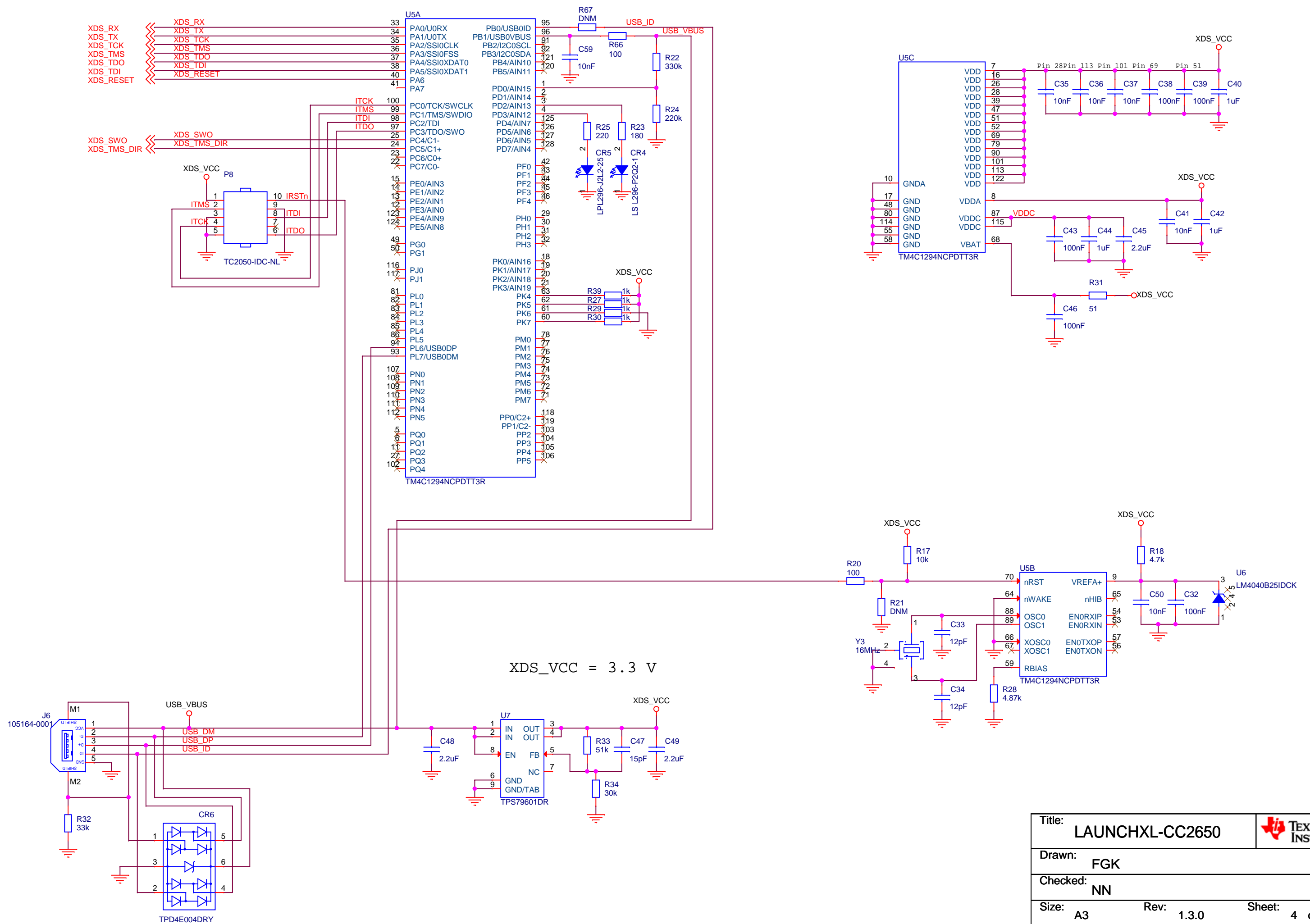
Jumpers to be mounted on header P4

Use P5 for debugging CC2650 with an external debugger (requires that all jumpers be removed)

Use P7 for debugging external targets (requires that all jumpers be removed)

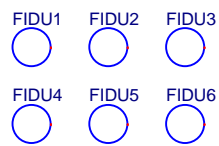
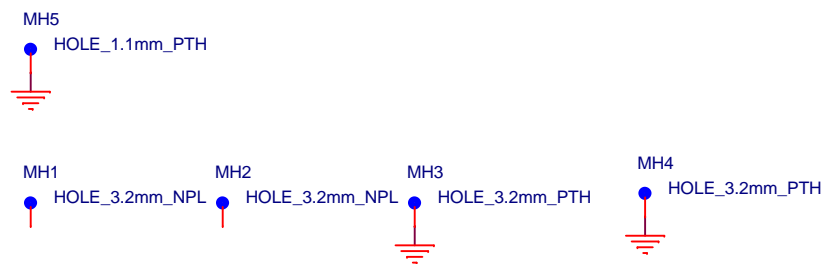
Title:	LAUNCHXL-CC2650		
Drawn:	FGK, KHT		
Checked:	NN		
Size:	A3	Rev: 1.3.0	Sheet: 3 of 5
Date:	Monday, June 06, 2016		


XDS110 Debugger



Title:	LAUNCHXL-CC2650		
Drawn:	FGK		
Checked:	NN		
Size:	A3	Rev: 1.3.0	Sheet: 4 of 5
Date:	Monday, June 06, 2016		

Mechanical



Title:	LAUNCHXL-CC2650		
Drawn:	KHT		
Checked:	NN		
Size:	A3	Rev:	1.3.0
		Sheet:	5 of 5
Date:	Monday, June 06, 2016		