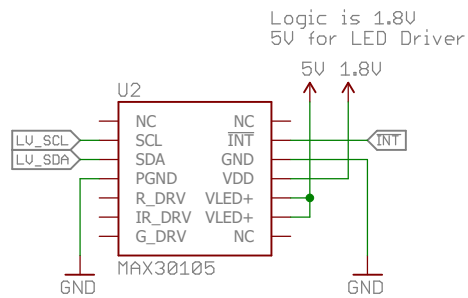
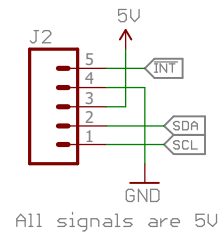


Voltage Regulation

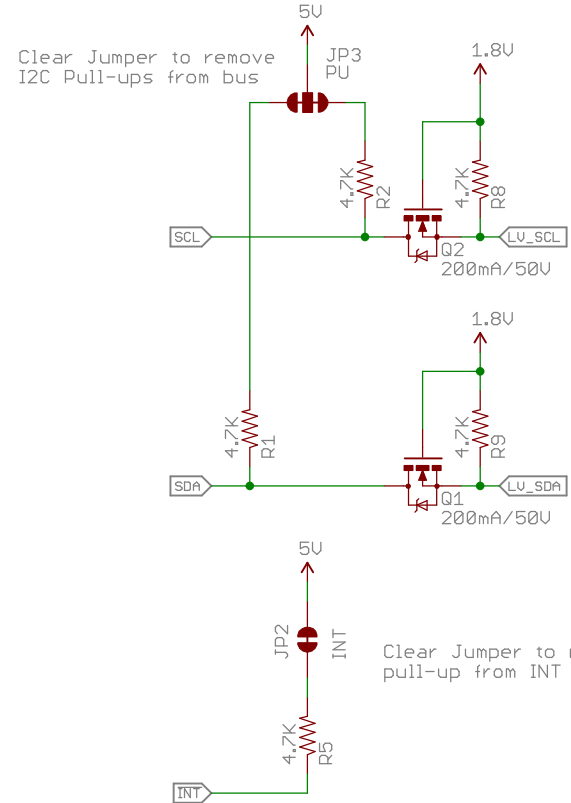


7-Bit I2C: 0x57

Sensor



Interface and Logic Conversion



Released under the Creative Commons Attribution Share-Alike 4.0 License
<https://creativecommons.org/licenses/by-sa/4.0/>

TITLE: MAX30105_Breakout

Design by: N. Seidle

REV:
v10

Date: 9/28/2016 11:02 AM

Sheet: 1/1

