

A

A

B

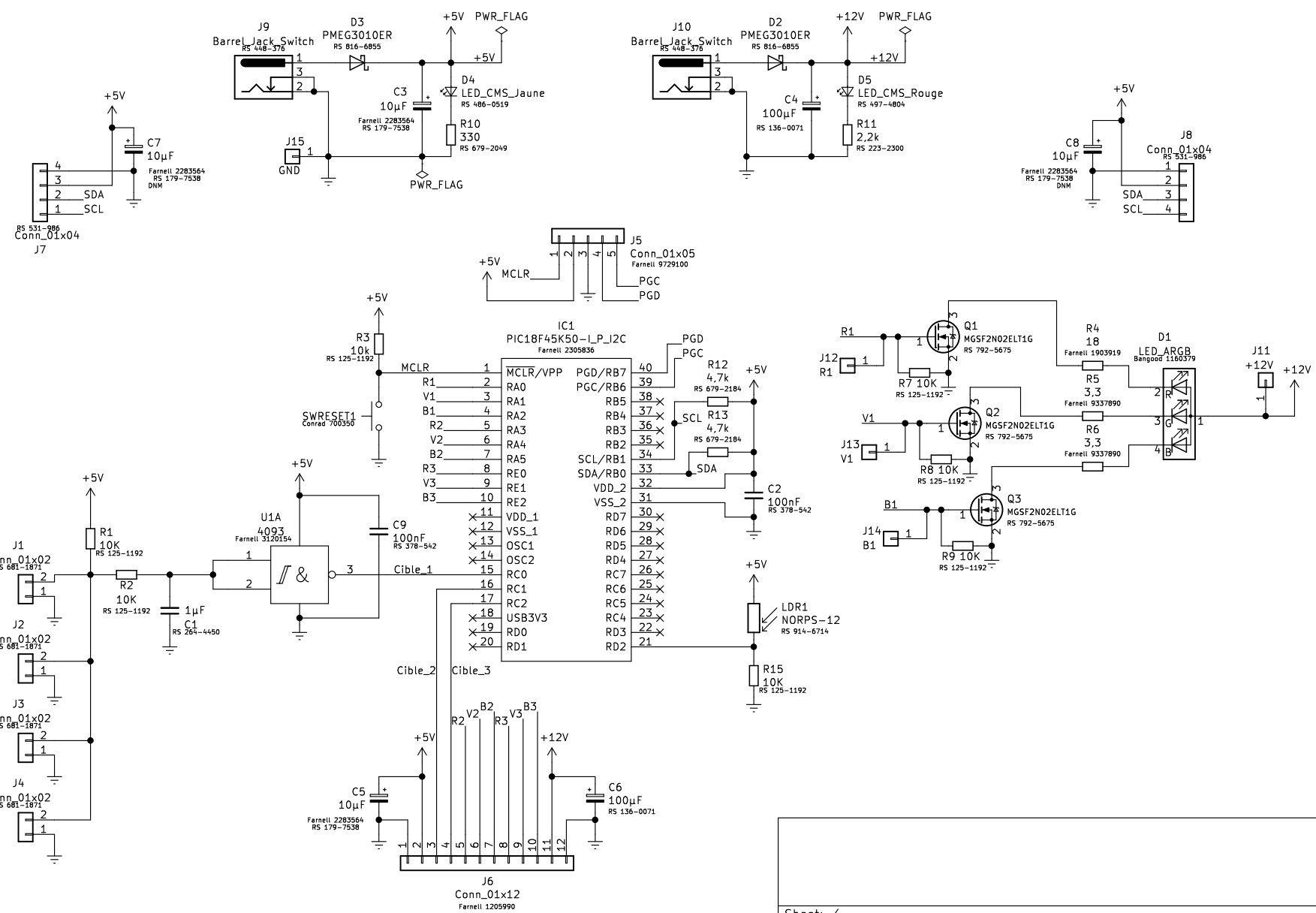
B

C

C

D

D



Sheet: /	
File: PCB_maitre_rushball.sch	
Title: Projet Rushball	
Size: A4	Date: 2020-03-31
KiCad E.D.A. kicad (5.1.4)-1	Rev: Id: 1/1