

General Accessories

Connector Cables

Type CONB1...

CARLO GAVAZZI



- Straight or 90° connector
- M12 version
- 3, 4 or 5 wire
- LEDs in transparent housing
- IP 67
- UL approved

Product Description

M12 connection cables for 3 wires, 4 wires or 5 wires. Come in straight or angled versions. Some versions are also with LED.

UL approved high quality connection cable either in PVC jacket or in the more durable PUR jacket. Standard lengths of 2m, 5m, 10m or 15m.

Ordering Key

CONB14NF-APT2P

CONB
 1 = M12 DC
 3 = 3 wire (BN, BU, BK)
 4 = 4 wire (BN, BU, BK, WH)
 5 = 5 wire (BN, BU, BK, WH, GY)
 N= Not shielded
 F= Female
 A = Angled
 S = Straight
 P= PNP
 N= NPN
 T= Transparent housing
 2 = 2 m
 5 = 5 m
 10 = 10 m
 15 = 15 m
 Blank = PVC cable
 P = PUR

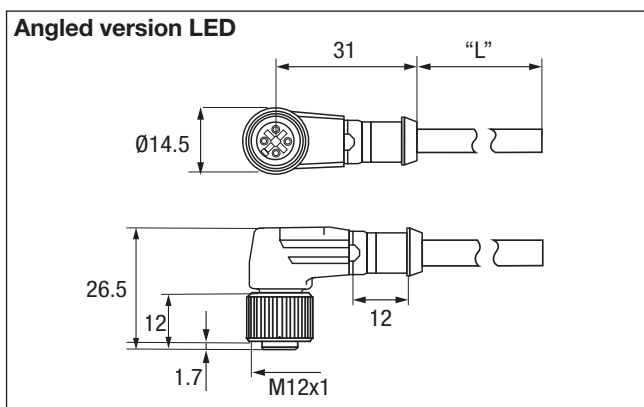
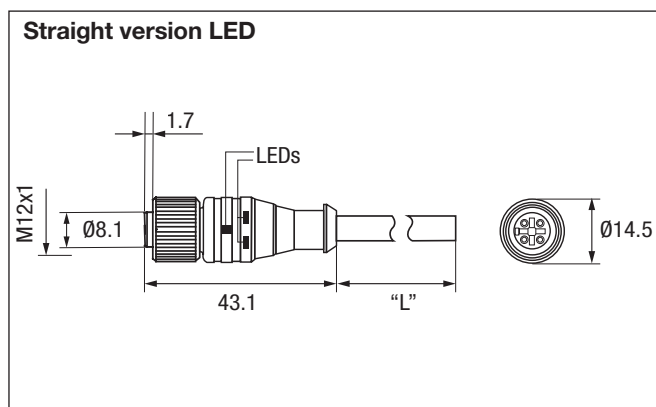
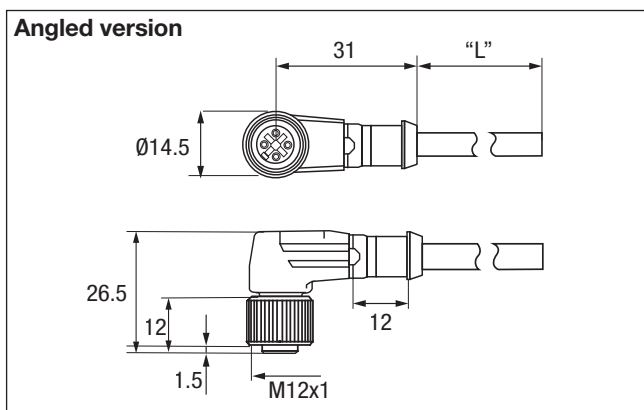
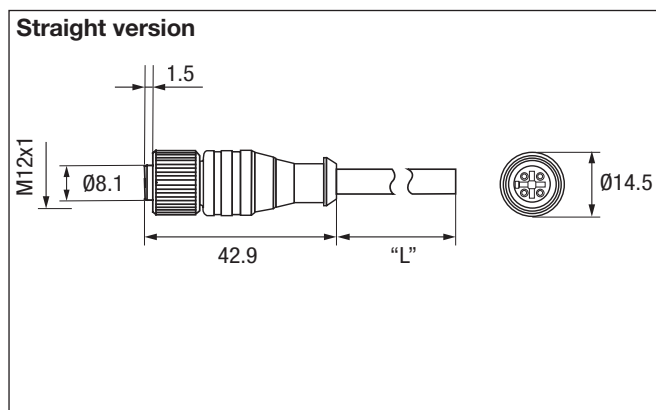
Type Selection

Plug type	Cable length	Ordering number PVC	Ordering number PVC LED NPN	Ordering number PVC LED PNP	Ordering number PUR
3-Wire Angled	2 m	CONB13NF-A2	CONB13NF-ANT2	CONB13NF-APT2	CONB13NF-A2P
	5 m	CONB13NF-A5	CONB13NF-ANT5	CONB13NF-APT5	CONB13NF-A5P
	10 m	CONB13NF-A10	-	-	CONB13NF-A10P
	15 m	CONB13NF-A15	-	-	CONB13NF-A15P
3-Wire Straight	2 m	CONB13NF-S2	-	-	CONB13NF-S2P
	5 m	CONB13NF-S5	-	-	CONB13NF-S5P
	10 m	CONB13NF-S10	-	-	CONB13NF-S10P
	15 m	CONB13NF-S15	-	-	CONB13NF-S15P
4-Wire Angled	2 m	CONB14NF-A2	CONB14NF-ANT2	CONB14NF-APT2	CONB14NF-A2P
	5 m	CONB14NF-A5	CONB14NF-ANT5	CONB14NF-APT5	CONB14NF-A5P
	10 m	CONB14NF-A10	-	-	CONB14NF-A10P
	15 m	CONB14NF-A15	-	-	CONB14NF-A15P
4-Wire Straight	2 m	CONB14NF-S2	CONB14NF-SNT2	CONB14NF-SPT2	CONB14NF-S2P
	5 m	CONB14NF-S5	CONB14NF-SNT5	CONB14NF-SPT5	CONB14NF-S5P
	10 m	CONB14NF-S10	-	-	CONB14NF-S10P
	15 m	CONB14NF-S15	-	-	CONB14NF-S15P
5-Wire Angled	2 m	CONB15NF-A2	-	-	CONB15NF-A2P
	5 m	CONB15NF-A5	-	-	CONB15NF-A5P
	10 m	CONB15NF-A10	-	-	CONB15NF-A10P
	15 m	CONB15NF-A15	-	-	CONB15NF-A15P
5-Wire Straight	2 m	CONB15NF-S2	-	-	CONB15NF-S2P
	5 m	CONB15NF-S5	-	-	CONB15NF-S5P
	10 m	CONB15NF-S10	-	-	CONB15NF-S10P
	15 m	CONB15NF-S15	-	-	CONB15NF-S15P

Specifications

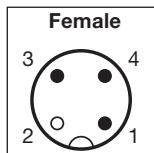
Rated operating voltage (U_B) 3 or 4 wire version 5 wire version LED versions	240V AC/DC 60V AC/DC 30V AC/DC	PVC 3 wires 4 wires 5 wires	0,34mm ² 0,25mm ² 0,34mm ²
Rated current	≤ 4 A	Contact material	CuSn
Contact resistance	≤ 5mΩ	Contact plating	Cu/Au
Rated impulse voltage 3 or 4 wire 5 wire	2.0KV 1.5KV	Contact bearer material	TPU orange
Insulation resistance	> 10 ⁹ Ω	Moulded body material	TPU translucent
Cable outer diameter PUR 3 wires 4 wires 5 wires PVC 3 wires 4 wires 5 wires	4.3 mm 4.7 mm 5.4 mm 5 mm 5 mm 5.7 mm	O-ring sealing	FKM
Wire cross section PUR 3 wires 4 wires 5 wires	0,34mm ² 0,34mm ² 0,50mm ²	Knurled nut	CuZn, nickel plated
		Degree of protection	IP 67
		Pollution degree	3
		Pin IEC standard	IEC61076-2-101
		Temperature	-40° to 90°C
		Weight* 2 m version 5 m version 10 m version 15 m version	approx 100 g approx 200 g approx 300 g approx 500 g *varies depending on model
		LED colour Power Output	Green Yellow

Dimensions

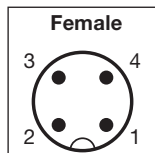


Contact layout

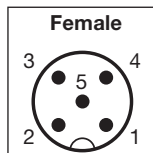
(3-wire)



(4-wire)



(5-wire)

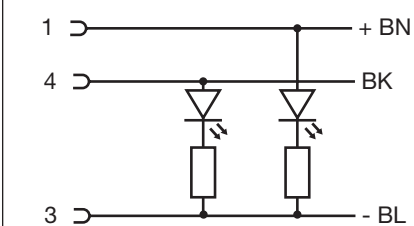


Colour Code

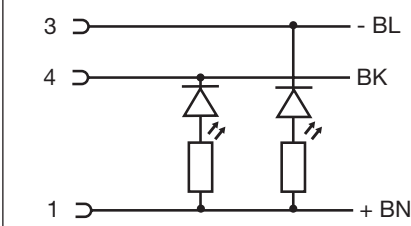
- 1 Brown (BN)
- 2 White (WH)
- 3 Blue (BL)
- 4 Black (BK)
- 5 Grey

LED Connections

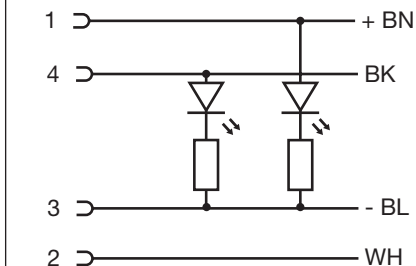
3-wire PNP angled version



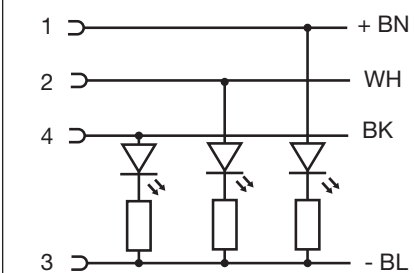
3-wire NPN angled version



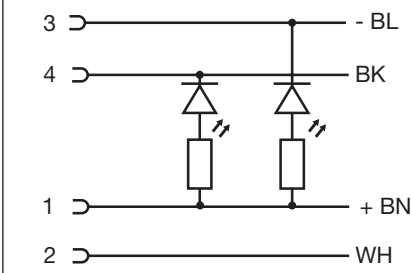
4-wire PNP straight version



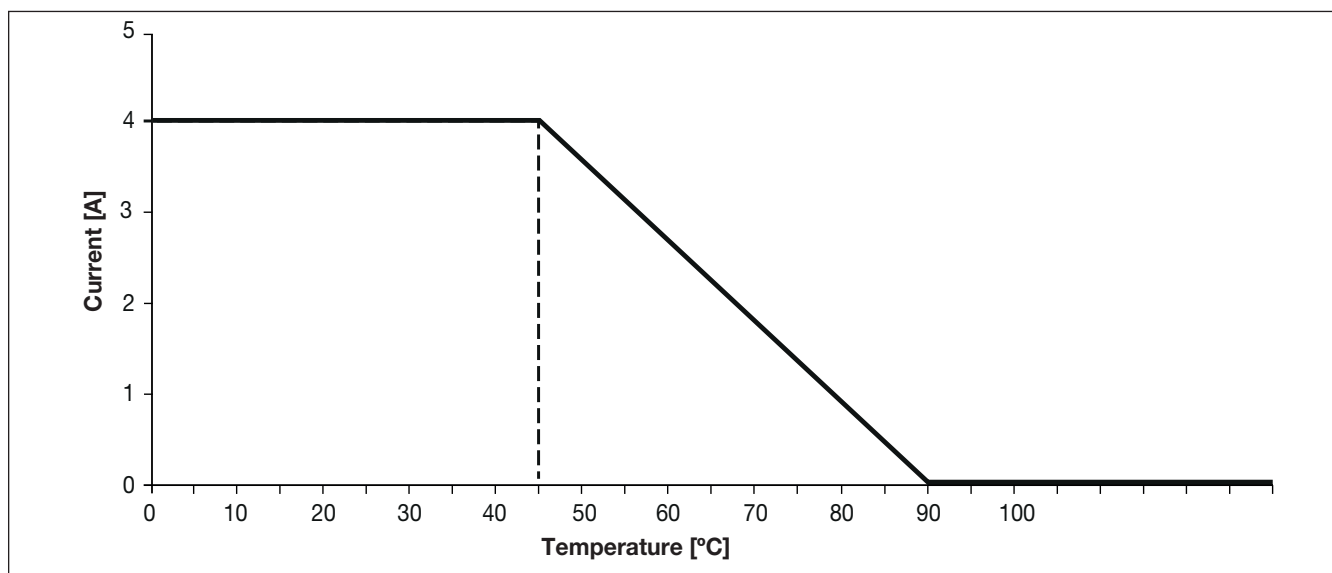
4-wire PNP angled version



4-wire NPN straight version



Derating curve (DIN EN 60512-5-2)



Mouser Electronics

Authorized Distributor

Click to View Pricing, Inventory, Delivery & Lifecycle Information:

Carlo Gavazzi:

[CONB13NF-A10P](#) [CONB15NF-A5](#) [CONB15NF-S15](#) [CONB15NF-S5P](#) [CONB13NF-ANT5](#) [CONB14NF-S15P](#)
[CONB14NF-SPT2](#) [CONB15NF-A5P](#) [CONB14NF-S2P](#) [CONB14NF-S5](#) [CONB15NF-A15](#) [CONB14NF-S](#) [CONB14NF-SNT2](#) [CONB15NF-S2](#) [CONB15NF-S5](#) [CONB13NF-A10](#) [CONB13NF-S15](#) [CONB13NF-S15P](#) [CONB14NF-A5](#)
[CONB14NF-A5P](#) [CONB14NF-S2](#) [CONB14NF-S25](#) [CONB14NF-A](#) [CONB14NF-A10](#) [CONB14NF-A10P](#) [CONB14NF-A15P](#) [CONB14NF-APT2](#) [CONB14NF-APT5](#) [CONB15NF-S15P](#) [CONB15NF-S2P](#) [CONB13NF-S2](#) [CONB14NF-A2](#)
[CONB14NF-S5P](#) [CONB14NF-SPT5](#) [CONB15NF-A10P](#) [CONB15NF-S10](#) [CONB15NF-A15P](#) [CONB15NF-A2P](#)
[CONB14NF-ANT5](#) [CONB15NF-A10](#) [CONB15NF-S10P](#) [CONB13NF-S10](#) [CONB13NF-S10P](#) [CONB15NF-A2](#)
[CONB13NF-A2P](#) [CONB13NF-A15P](#) [CONB13NF-APT2](#) [CONB13NF-APT5P](#) [CONB13NF-S5](#) [CONB14NF-A2P](#)
[CONB14NF-ANT2](#) [CONB14NF-S10](#) [CONB14NF-S15](#) [CONB13NF-A2](#) [CONB13NF-APT5](#) [CONB13NF-S2P](#)
[CONB13NF-S5P](#) [CONB14NF-S10P](#) [CONB13NF-A5P](#) [CONB13NF-ANT2](#) [CONB14NF-A15](#) [CONB14NF-SNT5](#)
[CONB13NF-A15](#) [CONB14NF-A20](#) [CONB13NF-A5](#)