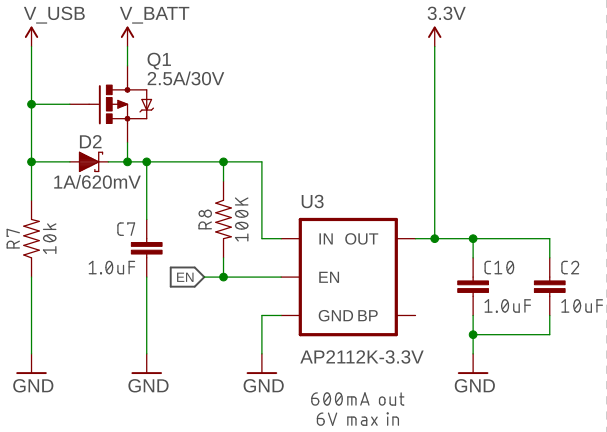
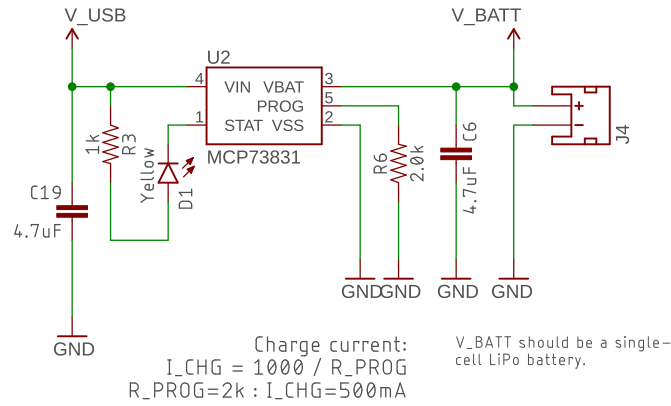


Voltage Regulator and Battery Charger

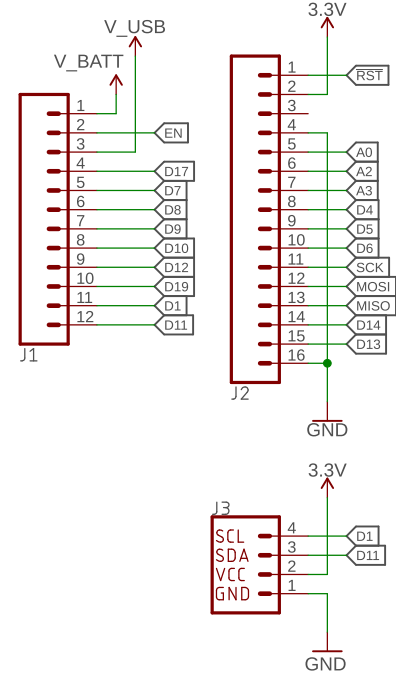
V_USB – 6V MAX
V_BATT – Single Cell (4.2V MAX)



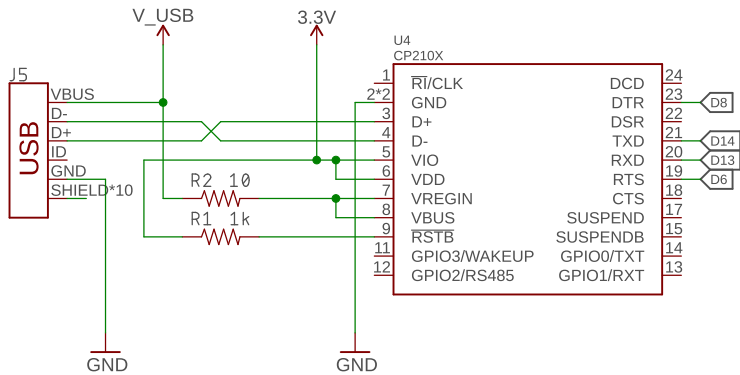
Lithium-Polymer Battery Charger (1-cell)



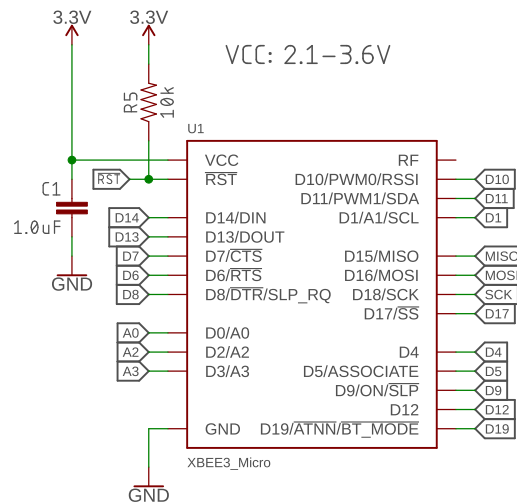
Connectors



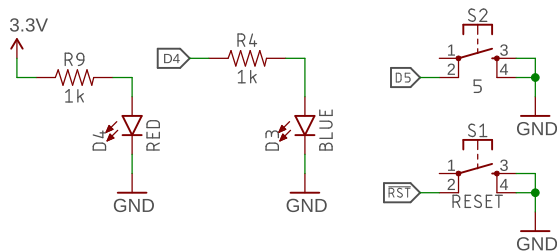
USB (CP2104/2N) Bridge



XBee3 Module



LEDs and Buttons



Released under the Creative Commons

Attribution Share-Alike 4.0 License

<https://creativecommons.org/licenses/by-sa/4.0/>



TITLE: XBEE3_Thing_Plus

Design by: Alex Wende

REV:
v10

Date: 9/9/2020 12:34 PM

Sheet: 1/1

